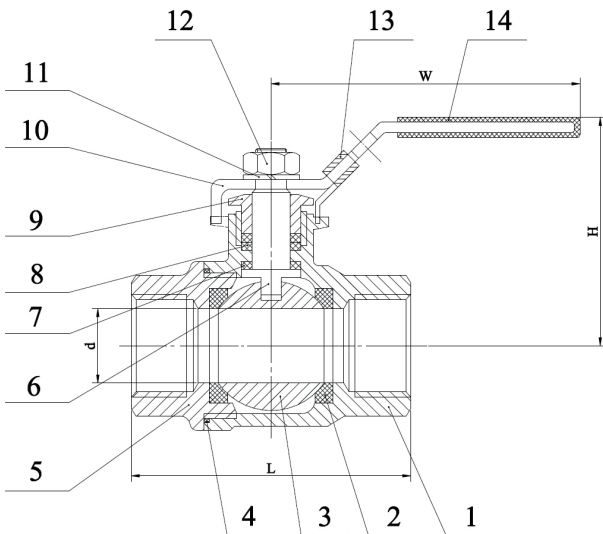


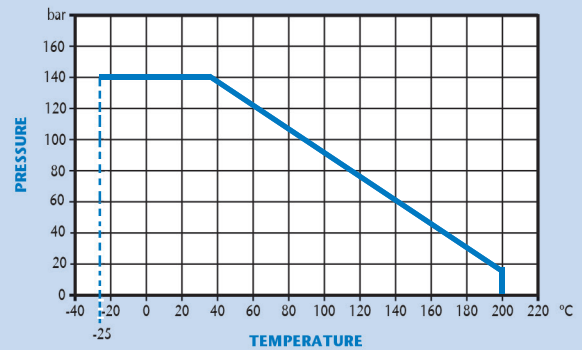
Stainless Steel 2 Piece Ball Valve

Features

- NPT Ends (ANSI B 1.20.1)
- PTFE Seals
- Full Bore
- Locking Device
- ATEX Approved
- 2000 PSI Rated



Pressure / Temperature



DN	1/4"	3/8"	1/2"	3/4"	1"	1 1/4"	1 1/2"	2"
d	11.5	12.5	15	20	25	32	40	50
L	49	49	58	65	77	90	105	125
H	54	54	56	65	70	75	93	99
W	105	105	105	118	150	150	182	182
N.m	4	4	5	8	10	14	18	25
Kgs	0.23	0.23	0.31	0.55	0.74	1.21	1.86	2.97

Technical Data

Max Pressure 140 Bar Rated
Working Temperature -25°C to +200°C

N.	Part Name	Material
1	Body	CF8M
2	Ball Seat	R-PTFE (15%)
3	Ball	Stainless Steel 316
4	Body Gasket	PTFE
5	Cap	CF8M
6	Stem	Stainless Steel 316
7	Thrust Washer	PTFE
8	Stem Packing	PTFE
9	Gland Nut	Stainless Steel 304
10	Handle	Stainless Steel 304
11	Spring Washer	Stainless Steel 304
12	Nut	Stainless Steel 304
13	Lock Device	Stainless Steel 304
14	Handle Cover	Plastic

Dimensions in mm

This data sheet is designed as a guide and should not be regarded as wholly accurate in every detail. We reserve the right to amend the specification of any product without notice.