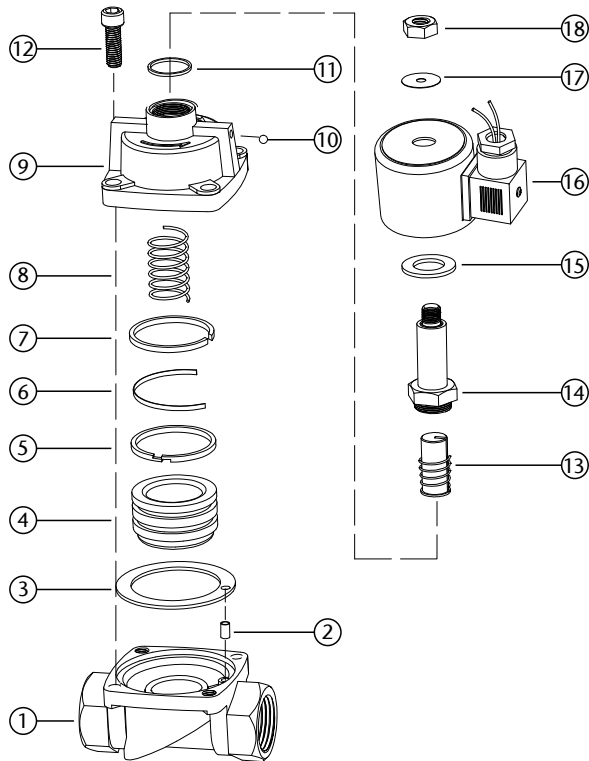


## Parts Diagram



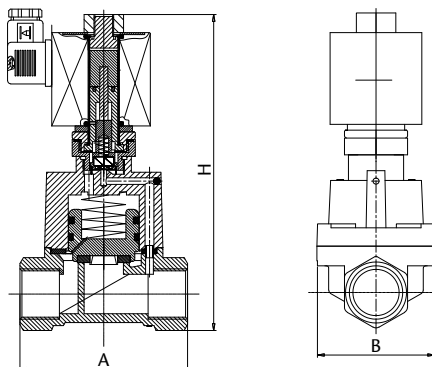
N.	Component	Material
1	Valve Body	Brass/Stainless Steel 316
2	Pin	Stainless Steel 304
3	Seal	PTFE
4	Piston unit	Stainless Steel 316
5	Piston Ring 1	PTFE
6	Elastic Ring	Spring Steel
7	Piston Ring 1	PTFE
8	Piston Spring	Stainless Steel 304
9	Valve Cover	Brass/Stainless Steel 316
10	Bolt	Brass/Stainless Steel 304
11	Plunger Tube Seal	PTFE
12	Bolt	Stainless Steel 302
13	Pilot Unit	Stainless Steel 1J117
14	Plunger Tube Unit	Stainless Steel 304 +1J117
15	Baseplate	Plated Steel
16	Coil	Enamelled Wire
17	Washer	Plated Steel
18	Lock Nut	Stainless Steel 302

Available in 230VAC, 110VAC  
12VDC, 24VDC, 24VAC

Thread standard: ISO 228/1

## Main Dimensions

See Table Opposite



# 2/2 Solenoid Valve Normally Closed

## Valve Specification

Port Size (G)	Orifice	CV Value	Pressure Difference (Bar)								Max. Temp. (°C)	VA	W	Diaphragm	Main Dimension	
			Min.	Max. Working Pressure											AxBxH	
				Air / Gas		Water / Hot Liquid		Light Oil ≤20CST		Steam						
				AC	DC	AC	DC	AC	DC	AC/DC						AC/DC
1/8"	2.5	0.23	0	8	8	8	8	6	6	8	175	22	13	PTFE	48x25x85.5	
	2.5	0.23	0	13	13	13	13	7	7	10	110	22	13	VITON	48x25x85.5	
	4.5	0.6	0	7	4	7	4	4	4	7	165	22	13	PTFE	58x25x85.5	
	4.5	0.6	0	7	4	7	4	4	4	7	110	22	13	VITON	58x25x85.5	
1/4"	2.5	0.23	0	7	4	7	4	4	4	8	175	22	13	PTFE	48x25x85.5	
	2.5	0.23	0	13	13	13	13	7	7	10	110	22	13	VITON	48x25x85.5	
	4.5	0.6	0	7	4	7	4	4	4	7	165	22	13	PTFE	58x25x85.5	
	4.5	0.6	0	7	4	7	4	4	4	7	110	22	13	VITON	58x25x85.5	
3/8"	15	4.5	0.5	25	20	25	20	20	20	8	175	30	25	PTFE	75x52x129	
1/2"	15	4.5	0.5	25	20	25	20	20	20	8	175	30	25	PTFE	75x52x129	
3/4"	20	9	0.5	25	20	25	20	20	20	8	175	30	25	PTFE	85x60x141	
1"	25	13	0.5	25	20	25	20	20	20	8	175	30	25	PTFE	100x70x148	
1.1/4"	35	26	0.5	25	20	25	20	20	20	8	175	30	25	PTFE	120x90x168	
1.1/2"	35	26	0.5	25	20	25	20	20	20	8	175	30	25	PTFE	120x90x168	
2"	50	48	0.5	25	20	25	20	20	20	8	175	30	25	PTFE	150x110x190	
1" Flange	25	13	0.5	25	20	25	20	20	20	8	175	30	25	PTFE	134x110x185	
1.1/4" Flange	35	26	0.5	25	20	25	20	20	20	8	175	30	25	PTFE	160x135x200	
1.1/2" Flange	35	26	0.5	25	20	25	20	20	20	8	175	30	25	PTFE	160x145x205	
2" Flange	50	45	0.5	25	20	25	20	20	20	8	175	30	25	PTFE	200x155x250	

Please refer to our price list for stocked items

Dimensions in mm

This data sheet is designed as a guide and should not be regarded as wholly accurate in every detail. We reserve the right to amend the specification of any product without notice.