

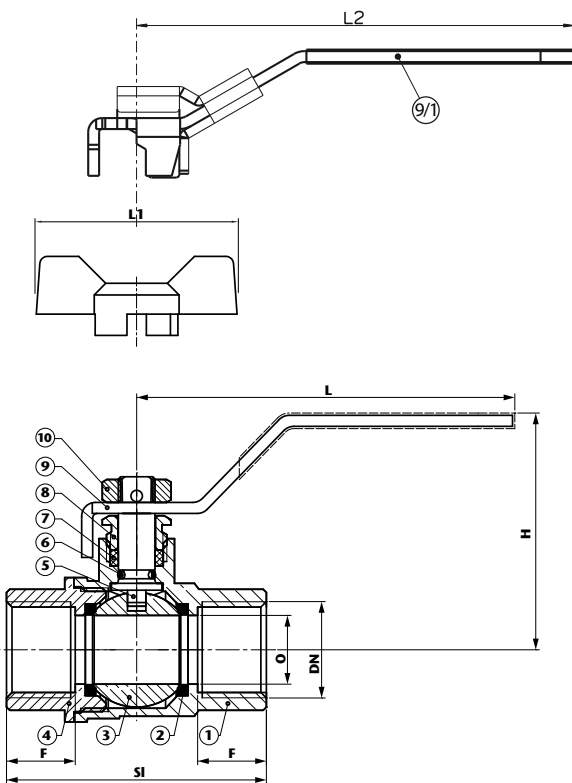
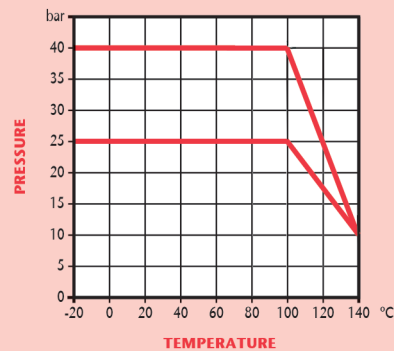
PN40 Brass Ball Valve

Features

- Screwed NPT (ANSI B1.20.1)
- Anti-Blow-Out Stem
- PTFE Seats & Seals
- Full Bore
- Locking Lever & Tee Handle Options Available



Pressure / Temperature



DN	1/4"	3/8"	1/2"	3/4"	1"	1 1/4"	1 1/2"	2"	2 1/2"	3"	4"
O	10	10	14.5	19	24.5	31.5	40	49	62	73	90
F	11.5	11.5	15	18	19.5	20	21	26.5	31	36.8	41.6
SI	45	45	57	67	77	88	99	121	146	168	199
H	41	41	52	49	62	81	90	96	122	132	143
L	82	82	87.5	100	125	141	141	165	225	225	280
L1	52	52	52	52	62						
L2			100	100	125	150	150	165			
Kgs	0.14	0.14	0.20	0.26	0.41	0.61	0.95	1.35	3.30	4.20	6.75

Technical Data

Max Pressure	1/4" - 2"	40 Bar
	2 1/2" - 4"	25 Bar
Working Temperature	1/4" - 4"	-20°C to +140°C

N.	Part Name	Materials
1	Body	Brass/Nickel Plated
2	Seat	PTFE
3	Ball	Brass/Chrome Plated
4	Body End	Brass/Nickel Plated
5	Stem	Brass
6	'O' Ring	NBR
7	Stem Packing	PTFE
8	Lock Nut	Brass
9	Lever	Steel
9/1	Lockable Lever	Steel/PVC Plastic Coated
10	Nut	Steel

Dimensions in mm

This data sheet is designed as a guide and should not be regarded as wholly accurate in every detail. We reserve the right to amend the specification of any product without notice.