

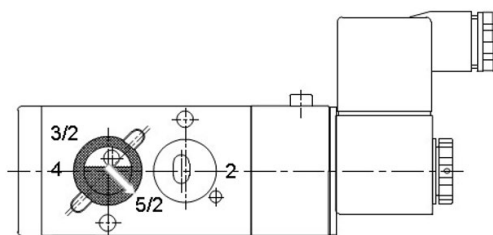


Universal Direct Mount Namur Solenoid

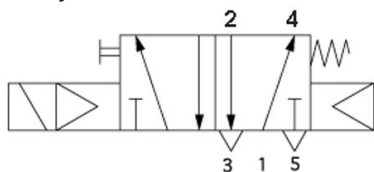
Features

- Life Cycle 12,000,000 operations
- 5/2 - 3/2 Interchangeable
- Available in 110VAC, 230VAC, 24VAC, 24VDC
- IP65
- Manual over-ride control

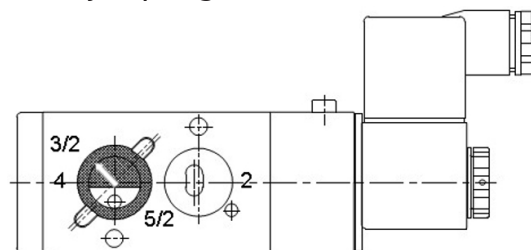
5/2 way (Double Acting Actuators)



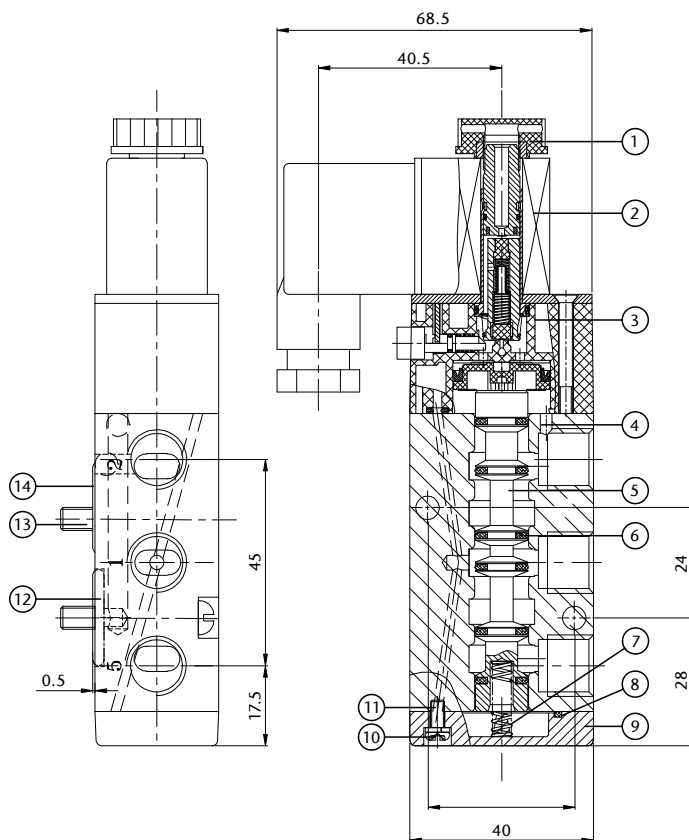
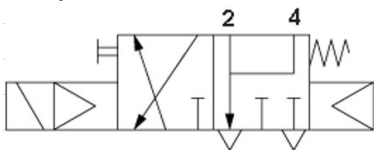
Model: V523231E4-08MG 5/2
5/2 way with silencers function diagram



3/2 way (Spring Return Actuators)



Model: V523231E4-08MG 3/2
3/2 way with silencers function diagram



N.	Component	Material
1	Nut	PA66 (Nylon) +30% GF (Plastic)
2	Coil (Din Plug)	Enamelled Wire & Engineering Plastic
3	Pilot Unit	Pure Steel & Cu & Stainless Steel
4	Valve Body	6061-T6 (Aluminium Alloy)
5	Spool	6061-T6 (Aluminium Alloy)
6	Flat Ring	HNBR 80°
7	Spring	SUS304-WPB
8	Diamond Ring	NBR
9	Rear Cover	Zinc Alloy
10	Screw	Q235 (Steel)
11	Spring Washer	Q235 (Steel)
12	Switch Gasket	NBR & Q235
13	Screw	Q235 (Steel)
14	O Ring	NBR

Technical Data

Working Pressure 1.5 to 8 Bar

Max Working Temperature -20°C to +60°C

Dimensions in mm

This data sheet is designed as a guide and should not be regarded as wholly accurate in every detail. We reserve the right to amend the specification of any product without notice.