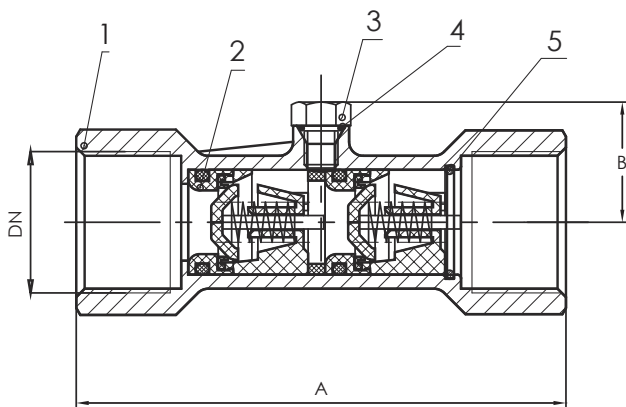




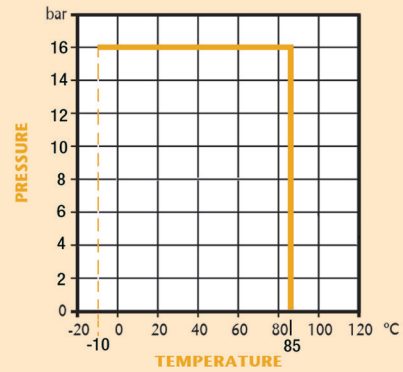
DZR Brass Double Check Valve BSP Parallel F/F Ends

Features

- Screwed BSP Parallel (ISO 228/1)
- WRAS Approved
- Conforms with EN13959
- Prevention of back flow and back syphonage contamination



Pressure / Temperature



DN	1/2"	3/4"	1"	1 1/4"	1 1/2"	2"
A	71	83	98	118	134	173
B	17.5	20	22.8	26	30	35
Kgs	0.11	0.17	0.28	0.45	0.64	1.19

Technical Data

Max Pressure	16 Bar
Working Temperature	-10°C to +85°C

Dimensions in mm

This data sheet is designed as a guide and should not be regarded as wholly accurate in every detail. We reserve the right to amend the specification of any product without notice.

N.	Part Name	Materials
1	Body	DZR
2	Non-return Core	POM
3	Screw	Brass
4	O-Ring	NBR
5	Catch Spring	Stainless Steel 304