

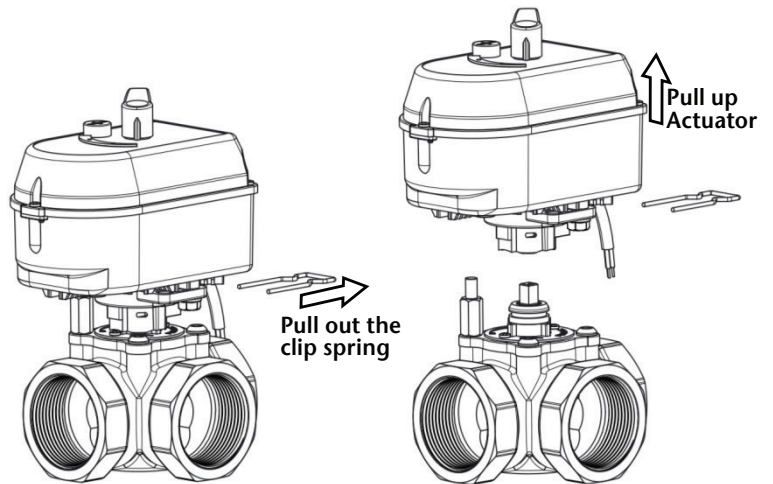
Actuator to Fit Rotary CRM & CLRM Valves

Features

- Quick connection/release CLIP system utilised
- Synchronous motor with defined rotation direction
- CRV24 (24VAC) & CRV230 (230VAC) offers 3pt control
- CRE (24VAC) offers 0-10V, 4-20mA modulating control
- Auto/Man button with Handle for Manual operation
- Auxillary switches as standard on CRV
- 0-10VDC Feedback signal as standard on CRE

DN	15	20	25	32	40	50
Type	CRM15/3.0	CRM20/7.0	CRM25/11	CRM32/15	CRM40/25	CRM50/40
A	36	36	41	47	53	60
B	72	72	82	94	106	120
C	126	126	126	132	139	140
D	144	144	144	149	156	158
Connection	Rp 1/2"	Rp 3/4"	Rp 1"	Rp 1 1/4"	Rp 1 1/2"	Rp 2"
Kvs	3	7	11	15	25	40
Kgs	1.22	1.28	1.32	1.65	2.35	2.93

Disconnection / Reconnection



For reconnection, insert clip spring into clip adapter on actuator and push actuator onto valve to hear 'click'.

Technical Data

Max Torque	15 Nm
Ingress Protection	IP44
Running Time	73 Sec / 90°

Dimensions in mm

This data sheet is designed as a guide and should not be regarded as wholly accurate in every detail. We reserve the right to amend the specification of any product without notice.