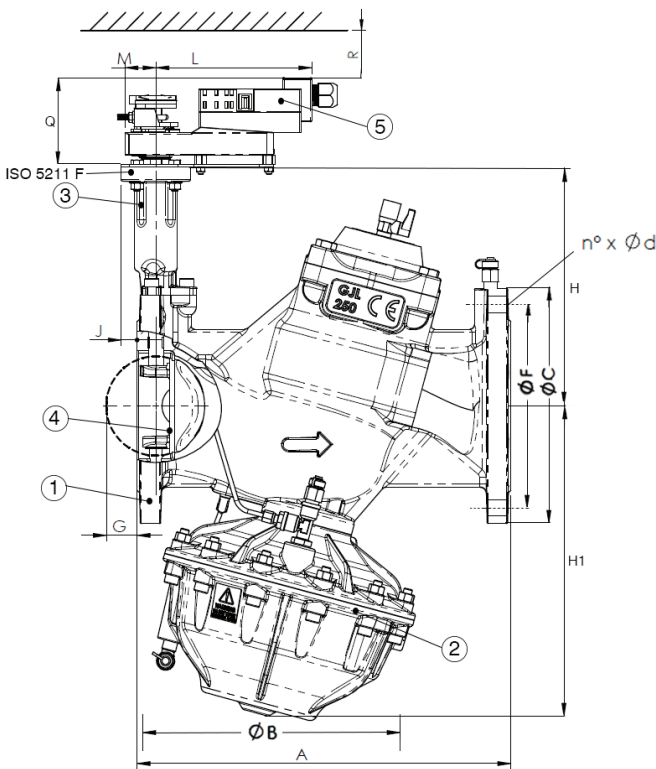
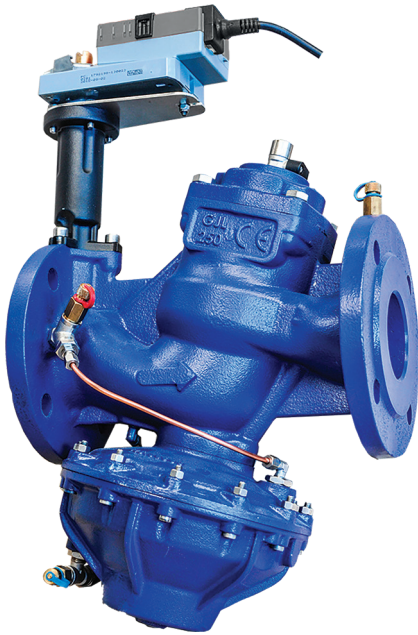


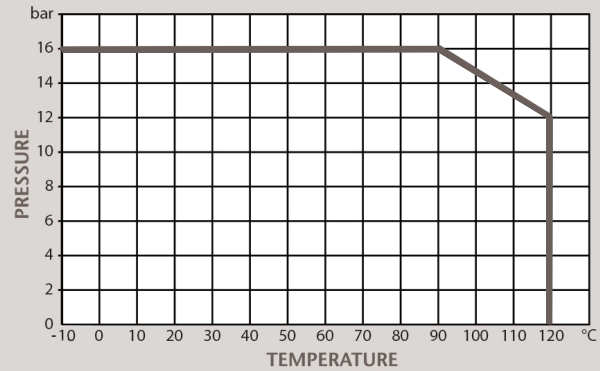
Pressure Independent Control & Balancing Valve (PICV or PIBCV)

Features

- Cast Iron EN GJL 250
- Available as Actuated PICV or Manual CFR
- Automatic flow balancing in the event of fluctuating pressure conditions in system branches
- Linear Regulation with Equal Percentage option
- Flow rate measurement incorporated
- Isolation Shut-off facility
- Water Hammer protection features for valve and actuator
- Gearbox allows position lock and flow reading



Pressure/Temperature



DN	65	80	100	125	150
A	290	310	350	400	480
H	205	214	224	272	301
H1	217	281	295	317	341
B	200	242	242	242	242
J	15	15	15	28	28
G	17	25	30	46	56
C	185	200	220	250	285
F	145	160	180	210	240
n x D	4 x 18	8 x 18	8 x 18	8 x 18	8 x 22
ISO 5211	F05	F05	F05	F07	F07
R	>100	>100	>100	>100	>100
L	160	160	160	160	160
M	35	35	35	35	35
Q	84	84	84	84	84
Kgs	23.3	29.8	35.3	48.1	77.1
Flow (l/s)	1.222-7.222	1.306-10	3.167-22.917	3.639-34.722	5.278-44.444
MinΔP (kPa)	30 (50)	30 (50)	30 (70)	30 (70)	30 (70)
Kvs (M ³ /hr)	66.3	96.6	278	332.1	427.5

Technical Data

Max Pressure	16 Bar
Working Temperature	-10°C to +120°C
Differential Pressure Range	400 kPa

N.	Part Name	Materials
1	Body	Cast Iron
2	Diaphragm	EPDM
3	Overtorque Safety Spring	Spring Steel 2FD
4	Control Valve Disc	Brass
5	Electric Actuator	Plastic Casing

Dimensions in mm

This data sheet is designed as a guide and should not be regarded as wholly accurate in every detail. We reserve the right to amend the specification of any product without notice.