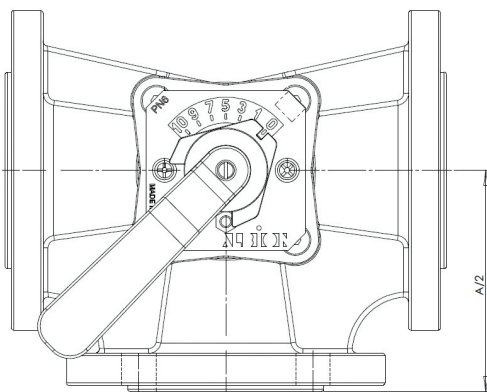
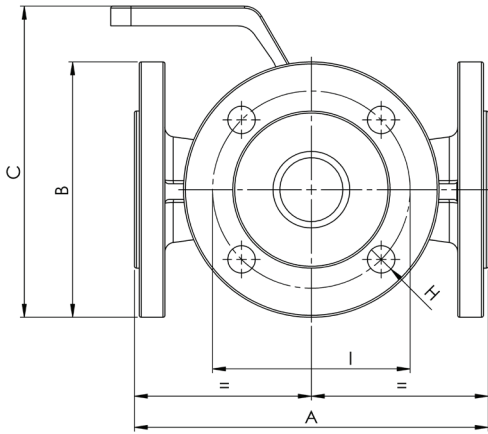


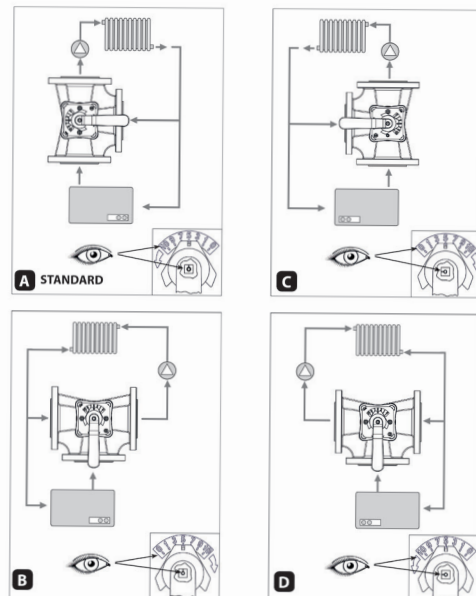
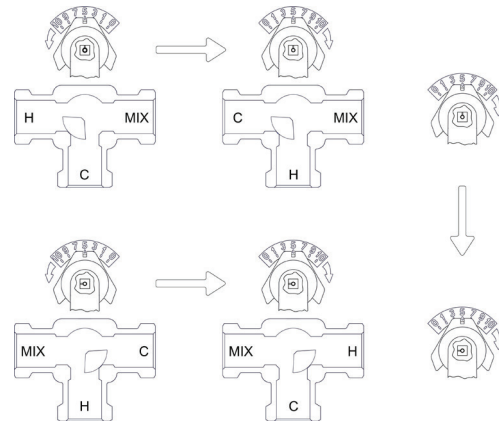
3 Port Flanged Rotary Mixing Valve

Features

- Cast Iron body and plug (EN-GJL-250)
- Hydraulic tightness: EPDM
- Handle: ABS
- Manual or Actuated Operation
- Suitable fluids: Water, glycol water (max 30%)
- Connections: Flanged connections ISO 7005



| DN | 65 | 80 | 100 | 125 | 150 |
|---------|-----|-----|-----|-----|-----|
| Kv | 100 | 185 | 310 | 510 | 820 |
| A | 200 | 234 | 260 | 296 | 350 |
| A/2 | 100 | 117 | 130 | 148 | 175 |
| B | 160 | 190 | 210 | 240 | 265 |
| C | 190 | 210 | 240 | 270 | 300 |
| H | 14 | 18 | 18 | 18 | 18 |
| I | 130 | 150 | 170 | 200 | 225 |
| Hole N° | 4 | 4 | 4 | 8 | 8 |
| Kgs | 11 | 15 | 22 | 34 | 50 |



Technical Data

| | |
|-------------------------|---|
| Max Pressure | 6 Bar (PN6) |
| Working Temperature | -10°C to +110°C |
| Rotor's rotation angle: | 90° |
| Leakage: | DN50 - DN100 0.1% del Kvs DN125 - DN150 0.5% del Kvs |

Dimensions in mm

This data sheet is designed as a guide and should not be regarded as wholly accurate in every detail. We reserve the right to amend the specification of any product without notice.