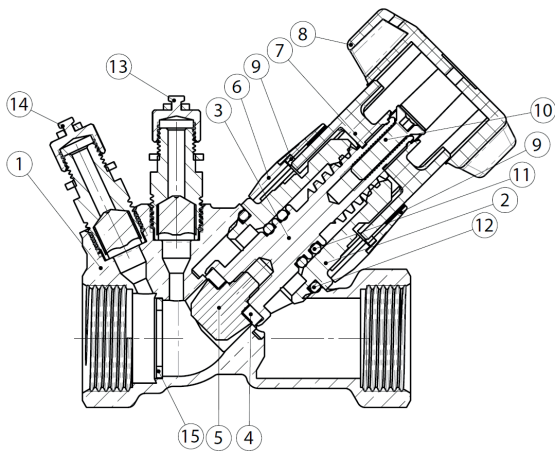
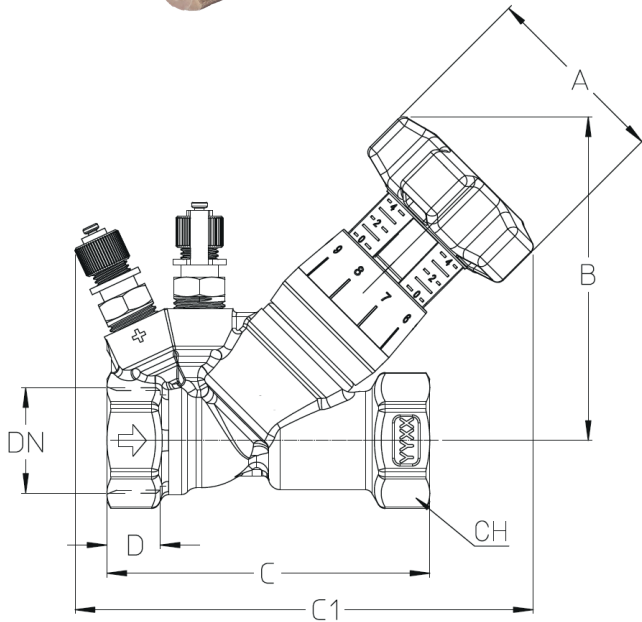


## DZR Fixed Orifice Double Regulating Valve (FODRV)

### Features

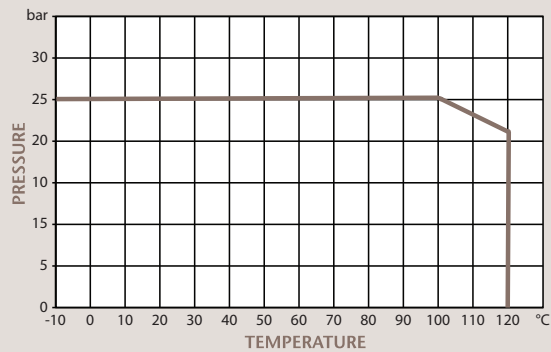
- BSP Parallel (ISO 228/1)
- Handwheel with shut off function and clear 360° reading
- Digital scale with lock function
- Fixed orifice with  $\pm 5\%$  flow measurement accuracy



### Technical Data

Max Pressure	25 Bar
Working Temperature	-10°C to +120°C

### Pressure/Temperature



DN	1/2" L	1/2" ML	1/2"	3/4"	1"	1 1/4"	1 1/2"	2"
A	50	50	50	50	50	50	50	50
B	83	83	83	82	84	87	107	103
C	72.5	72.5	72.5	82	95	122	138	161
C1	113	113	113	116.5	130	131	149	164
D	12.5	12.5	12.5	12.5	14.5	16	16	16
CH	25	25	25	31	38	47	55	66
Kv	0.533	0.738	2.00	3.88	7.28	13.39	18.69	30.10
Kvs	0.6	1.1	2.3	5.3	9.2	19.0	22.1	42.3
Kgs	0.38	0.38	0.38	0.43	0.52	0.86	1.34	1.47

N.	Part Name	Materials
1	Valve Body	DZR Brass
2	Bonnet	DZR Brass
3	Stem for Shutter	DZR Brass
4	Shutter Gasket	EPDM
5	Disc	Brass
6	Fixed Index	POM
7	Entrainer	Nylon 6
8	Knob	Nylon 6
9	Tenth Turn Index	POM
10	Memory Screw	Steel
11	Stem O-Ring	EPDM
12	Bonnet O-Ring	EPDM
13	Outlet Binder Point	Brass
14	Inlet Binder Point	Brass
15	Fixed Orifice	DZR Brass

Dimensions in mm

This data sheet is designed as a guide and should not be regarded as wholly accurate in every detail. We reserve the right to amend the specification of any product without notice.