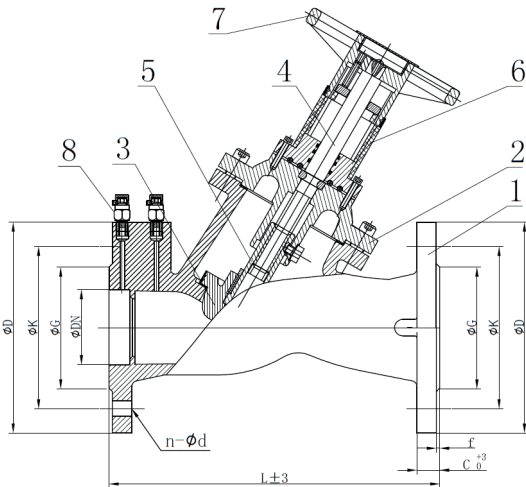


Flanged Fixed Orifice Double Regulating Valve (FODRV)

Features

- Flanged PN16
- Position indicator
- Fixed orifice with $\pm 5\%$ flow measurement accuracy
- Supplied with 2 fitted test points
- Extensions are included but not fitted
- EPDM cone seating gives tight shut off
- Body ductile iron



DN	2"	2½"	3"	4"	5"	6"	8"	10"	12"
DN	50	65	80	100	125	150	200	250	300
ØD	165	185	200	220	250	285	340	405	460
ØK	125	145	160	180	210	240	295	355	410
N-Ød	4-Ø19	4-Ø19	8-Ø19	8-Ø19	8-Ø19	8-Ø23	12-Ø23	12-Ø28	12-Ø28
C	19	19	19	19	19	19	20	22	24.5
ØG	99	118	132	156	184	211	266	319	370
f	3	3	3	3	3	3	3	3	4
L	230	290	310	350	400	480	600	730	850

No.	Part Name	Materials
1	Body	Ductile Iron
2	Cover	Cast Iron
3	Disc	Cast Iron + EPDM
4	Stem	Stainless Steel 410
5	Stem Nut	Brass
6	Indicator Kits	ABS
7	Hand Wheel	Aluminium
8	Test Points	Brass

Technical Data

Max Pressure	16 Bar
Working Temperature	-20°C to +120°C

Dimensions in mm

This data sheet is designed as a guide and should not be regarded as wholly accurate in every detail. We reserve the right to amend the specification of any product without notice.