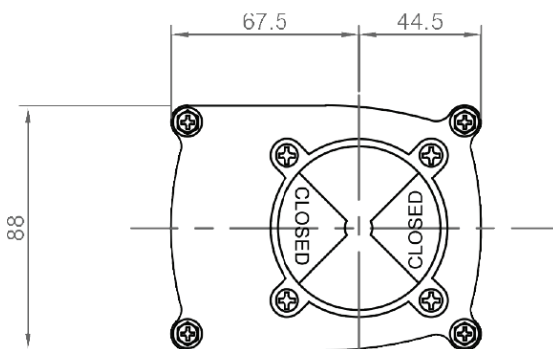
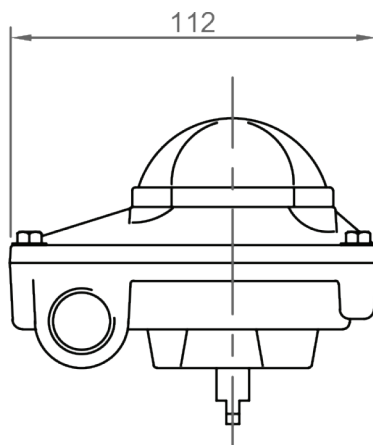
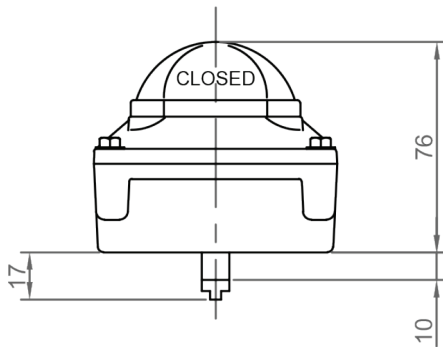


## Switchbox



### Features

- Powder coated aluminium switchbox to IP67
- Solid & compact design with high visibility beacon indicator
- Captive cover bolts are safely retained during installation and maintenance
- Easily adjustable with no tools required
- Dual cable entries are provided
- Mounted to the actuator using a NAMUR standard stainless steel mounting bracket
- Switchboxes available to suit hazardous areas

### Standard Specification

Enclosure Material	: Die cast aluminium
Enclosure Rating	: IP67
Enclosure Finish	: Polyester powder coating (Black)
Shaft Material	: Stainless steel
Cable Entries	: 2 x M20 (Options PG13.5 & 1/2"NPT)
Limit Switch Type	: 2 x SPDT, mechanical
Voltage / Amps	: 250V AC/16A, 125V AC/16A, : 250VDC/0.3A, 125VDC/0.6A, 30VDC/10A
Ambient Temperature	: -20°C to +80°C

### Options

Enclosure Rating	: IP68
Proximity sensors	: Available upon request
Beacon Indicator	: 3 way indication