

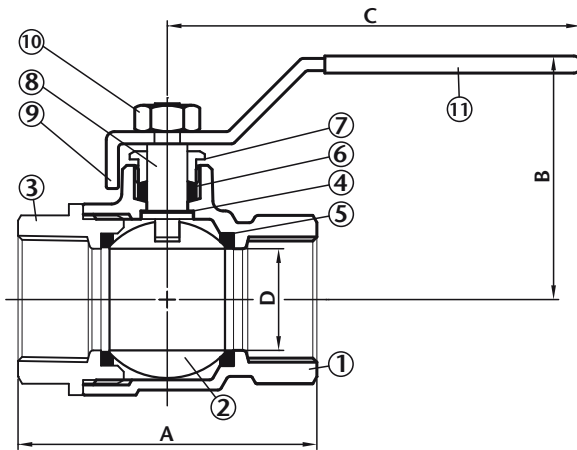
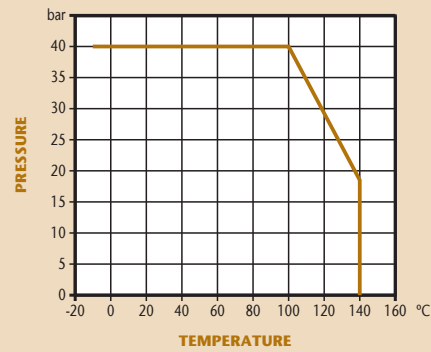


PN40 Bronze Ball Valve

Features

- Available in Screwed BSP Taper (ISO 7/1) or NPT (ANSI B1.20.1)
- Full Bore
- PTFE Seats & Seals
- PN40 Rated
- Blow-out Proof Stem
- WRAS Approved

Pressure / Temperature



DN	15	20	25	32	40	50
A	55	62	73	83	92	107
B	46	55	62	70	75	82
C	82	103	106	106	150	160
Kgs	0.22	0.35	0.56	0.71	1.11	1.91

Technical Data

Max Pressure	40 Bar
Working Temperature	-10°C to +140°C

N.	Part Name	Materials
1	Body	Bronze
2	Ball	Brass/Chrome Plated
3	End Cap	Bronze
4	Thrust Washer	PTFE
5	Ball Seats	PTFE
6	Stem Packing	PTFE
7	Packing Guard	Brass
8	Stem	Brass
9	Handle	Steel
10	Handle Nut	Steel
11	Sleeve	Vinyl

Dimensions in mm

This data sheet is designed as a guide and should not be regarded as wholly accurate in every detail. We reserve the right to amend the specification of any product without notice.