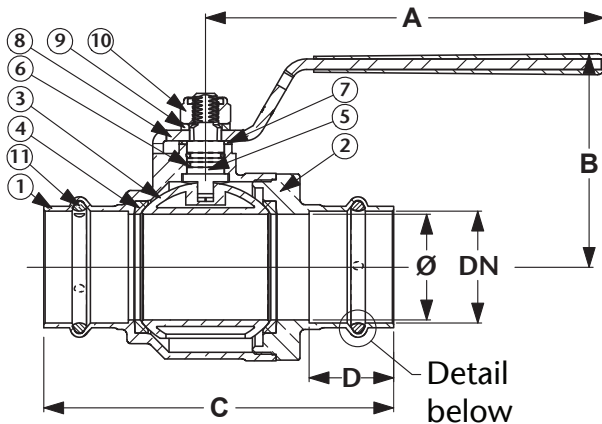


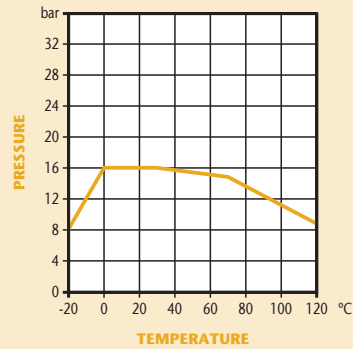
PN16 DZR Press Ball Valve

Features

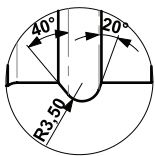
- Universal M & V Press 15mm to 35mm
- Dedicated M & V Profiles 42mm & 54mm (See diagram)
- Full Bore
- DZR Brass Body
- PTFE Seats
- EPDM 'O' Rings
- Pre-Press Leak Detection
- WRAS Approved



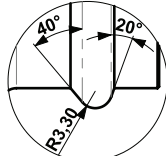
Pressure / Temperature



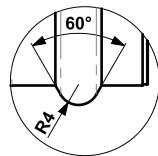
'M' Press (DN42)



'M' Press (DN54)



'V' Press (DN42+54)



NB: Sizes 15mm to 35mm can be pressed with both 'M' and 'V' press jaws. Always use the appropriate 'M' or 'V' press sling to press sizes 42mm and 54mm

Technical Data

Max Pressure 16 Bar
Working Temperature -20°C to +140°C

| DN | 15 | 22 | 28 | 35 | 42 | 54 |
|-------------|------|------|------|------|------|------|
| A | 90 | 90 | 110 | 110 | 150 | 150 |
| B | 47 | 52 | 57 | 65 | 81 | 89 |
| C (M Press) | 78 | 91 | 99 | 107 | 133 | 155 |
| C (V Press) | 78 | 91 | 99 | 107 | 133 | 163 |
| D (M Press) | 22 | 25 | 27 | 27 | 32 | 33 |
| D (V Press) | 22 | 25 | 27 | 27 | 32 | 37 |
| Kgs | 0.19 | 0.31 | 0.49 | 0.72 | 1.17 | 1.72 |

| N. | Part Name | Materials |
|----|--------------------|---------------------|
| 1 | Body | DZR Brass |
| 2 | Screwed End | DZR Brass |
| 3 | Ball | Brass Chrome Plated |
| 4 | Ball Gaskets | PTFE |
| 5 | Stem | Brass |
| 6 | O-Ring | FKM 70 SH |
| 7 | Anti-Friction Ring | PTFE |
| 8 | Handle | Steel |
| 9 | Washer | Brass |
| 10 | Self-Locking Nut | Steel |
| 11 | O-Ring | EPDM 70 PEROX |

Dimensions in mm

This data sheet is designed as a guide and should not be regarded as wholly accurate in every detail. We reserve the right to amend the specification of any product without notice.