

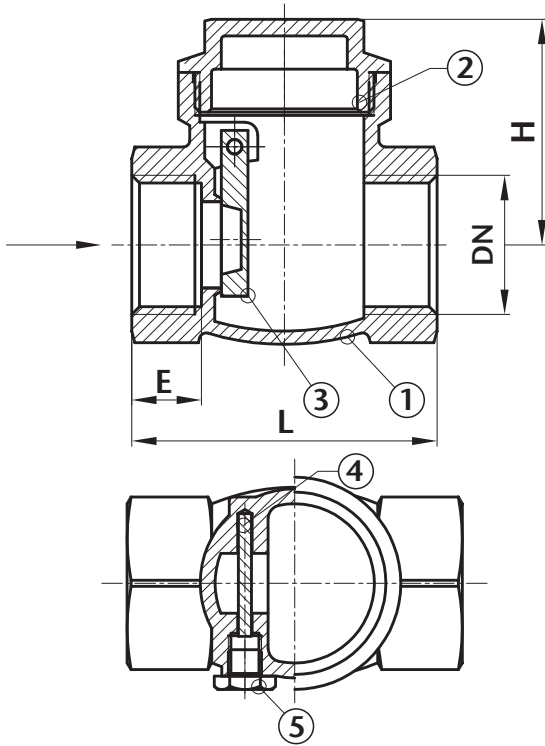
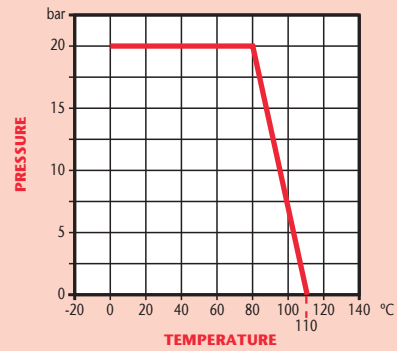
PN20 Brass Swing Check Valve

Features

- Screwed BSP Parallel (ISO 228/1)
- Brass Body
- Metal Seat



Pressure / Temperature



| DN | 1/2" | 3/4" | 1" | 1 1/4" | 1 1/2" | 2" | 2 1/2" | 3" | 4" |
|-----|------|------|------|--------|--------|------|--------|-------|------|
| L | 46 | 56 | 63 | 67.5 | 82 | 94 | 106 | 126.5 | 159 |
| H | 34 | 37.5 | 44.5 | 50 | 56.5 | 64.5 | 76 | 82 | 103 |
| E | 10.5 | 13.5 | 14.5 | 14.5 | 17 | 19 | 19 | 23.5 | 27.5 |
| D | 13 | 18 | 22 | 29 | 33 | 42 | 47 | 62 | 83 |
| Kgs | 0.15 | 0.22 | 0.35 | 0.53 | 0.74 | 1.17 | 1.81 | 2.43 | 4.9 |

Technical Data

| | |
|---------------------|--------------|
| Max Pressure | 20 Bar |
| Working Temperature | 0°C to 110°C |

| N. | Part Name | Materials |
|----|-----------|---------------------|
| 1 | Body | Brass |
| 2 | Bonnet | Brass |
| 3 | Disc | Brass |
| 4 | Pin | Stainless Steel 304 |
| 5 | Plug | Brass |

Dimensions in mm

This data sheet is designed as a guide and should not be regarded as wholly accurate in every detail. We reserve the right to amend the specification of any product without notice.