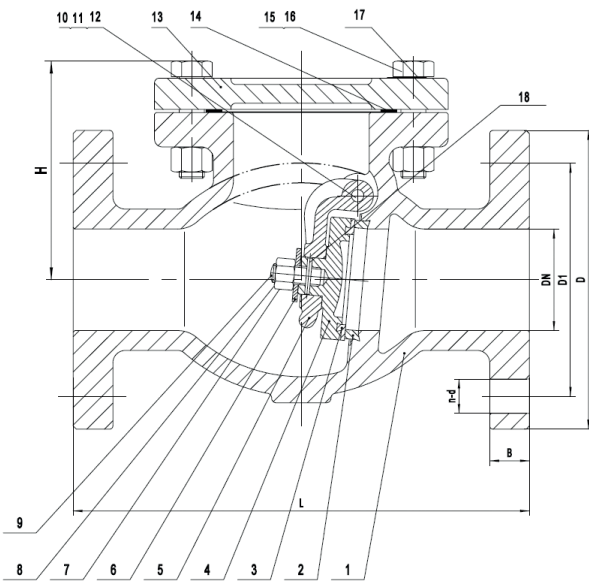
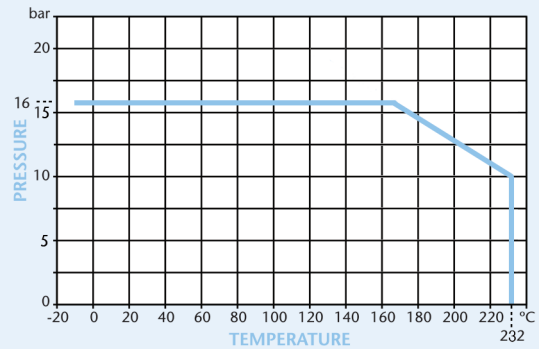


Cast Iron Swing Check Valve

Features

- Flanged ANSI 125 (B16.1)
- Class 125 Rated
- Conforms to ASME B16.10
- Conforms to MSS SP-71

Pressure/Temperature



	2"	2½"	3"	4"	5"	6"	8"	10"	12"	14"	16"	18"	20"	24"
L	203	216	241	292	330	356	495	622	699	787	914	914	1016	1219
D	152	178	190	229	254	279	343	406	483	533	597	635	699	813
D1	121	140	153	191	216	241	299	362	432	476	540	578	635	750
B	16	18	19	24	24	25	29	30	32	35	37	40	43	48
n-d	4- 19	4- 19	4- 19	8- 19	8- 22.2	8- 22.2	8- 22.2	12- 25.4	12- 25.4	12- 28.6	16- 28.6	16- 32	20- 32	20- 35
H	112	132	141	162	192	211	270	316	357	560	589	645	702	812
Kgs	11.6	17.5	21.4	37	56.2	72.4	122.7	201	291	418.5	520	656	832	1260

N.	Part Name	Materials
1	Body	Cast Iron - ASTM A 126-B
2	Seat Ring	Cast Bronze - ASTM B 62
3	Disc Ring	Cast Bronze - ASTM B 62
4	Disc	Cast Iron - ASTM A 126-B
5	Hanger	Ductile Iron - ASTM A 536 65-45-12
6	Washer	Steel
7	Nut	Steel
8	Split Pin	Stainless Steel - ASTM 304
9	Disc Screw	Steel
10	Side Pin	Brass - ASTM B 16
11	Gasket	Teflon
12	Hanger Pin	Stainless Steel - ASTM 304
13	Bonnet	Cast Iron - ASTM A 126-B
14	Gasket	Graphite - Non-Asbestos
15	Bolt	Steel - ASTM A 307-B
16	Nut	Steel - ASTM A 563-B
17	Identification Plate	Aluminium
18	Pin	Stainless Steel - ASTM 304

Technical Data

Maximum Pressure 16 Bar

Working Temperature -10°C to +232°C

Dimensions in mm

This data sheet is designed as a guide and should not be regarded as wholly accurate in every detail. We reserve the right to amend the specification of any product without notice.