

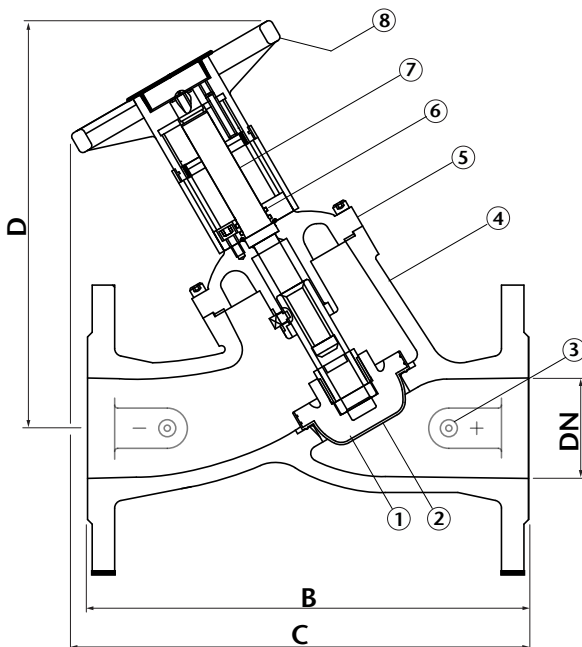
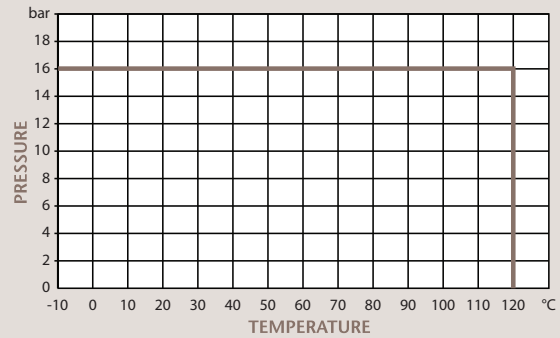


PN16 Ductile Iron Double Regulating Valve (DRV)

Features

- Flanged PN16
- Position indicator
- Double regulating device
- Supplied with 2 fitted test points and extensions
- EPDM cone seating gives tight shut off
- Body ductile iron
- Conforms to BS 5152 / BS 7350

Pressure/Temperature



Technical Data

Max Pressure	16 Bar
Working Temperature	-10°C to +120°C

Dimensions in mm

This data sheet is designed as a guide and should not be regarded as wholly accurate in every detail. We reserve the right to amend the specification of any product without notice.

DN	50	65	80	100	125	150	200	250	300
B	230	290	310	350	400	480	600	730	850
C	285	335	350	370	405	485	605	730	850
D	269	318	320	340	375	403	537	596	695
Kgs	12.6	17.4	23	30	43	56	129	197	237

N.	Part Name	Materials
1	Cone	Cast Iron
2	Cone Seat	EPDM Rubber
3	Pressure Test Point	Brass
4	Body	Ductile Iron
5	Bonnet	Cast Iron
6	'O' Rings	EPDM Rubber
7	Stem	304 Stainless Steel
8	Handwheel	Aluminium Alloy