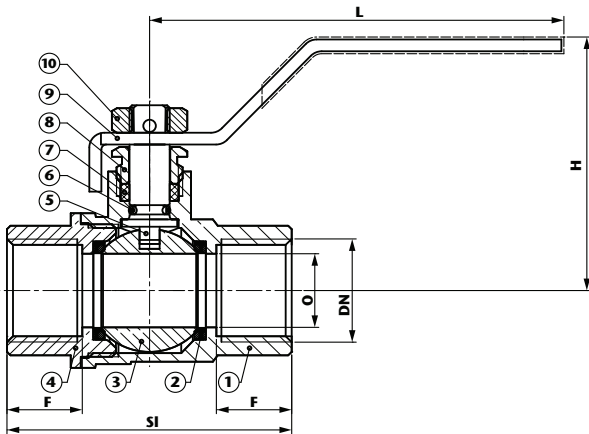
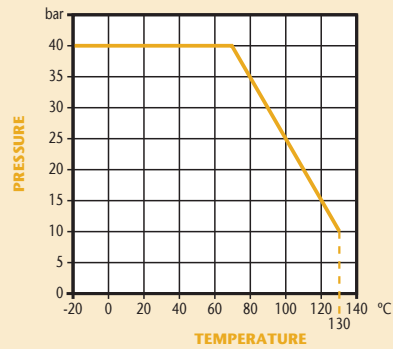


## PN40 DZR Brass Ball Valve

### Features

- Screwed BSP Taper Ends (ISO 7/1) or NPT (ANSI B1.20.1)
- Anti-Blow-Out Stem
- PTFE Seats & Seals
- Full Bore
- WRAS Approved

### Pressure / Temperature



| DN  | 1/4" | 3/8" | 1/2" | 3/4" | 1"   | 1 1/4" | 1 1/2" | 2"   |
|-----|------|------|------|------|------|--------|--------|------|
| O   | 10   | 10   | 14.5 | 19   | 24.5 | 31.5   | 40     | 49   |
| F   | 11.5 | 11.5 | 15   | 18   | 19.5 | 20     | 21     | 26.5 |
| S1  | 45   | 45   | 57   | 67   | 77   | 88     | 99     | 121  |
| H   | 41   | 41   | 52   | 49   | 62   | 81     | 90     | 96   |
| L   | 82   | 82   | 87.5 | 100  | 125  | 141    | 141    | 165  |
| Kgs | 0.15 | 0.14 | 0.21 | 0.32 | 0.49 | 0.75   | 1.00   | 1.61 |

### Technical Data

Max Pressure 40 Bar  
 Working Temperature -20°C to +130°C

| N. | Part Name    | Material                   |
|----|--------------|----------------------------|
| 1  | Body         | DZR Brass CW602N           |
| 2  | Seat         | PTFE                       |
| 3  | Ball         | Brass CW602N Chrome Plated |
| 4  | Body End     | DZR Brass                  |
| 5  | Stem         | Brass CW602N               |
| 6  | 'O' Ring     | NBR                        |
| 7  | Stem Packing | PTFE                       |
| 8  | Lock Nut     | Brass CW617N               |
| 9  | Lever        | Steel A3                   |
| 10 | Nut          | Steel A3                   |

Dimensions in mm

This data sheet is designed as a guide and should not be regarded as wholly accurate in every detail. We reserve the right to amend the specification of any product without notice.