

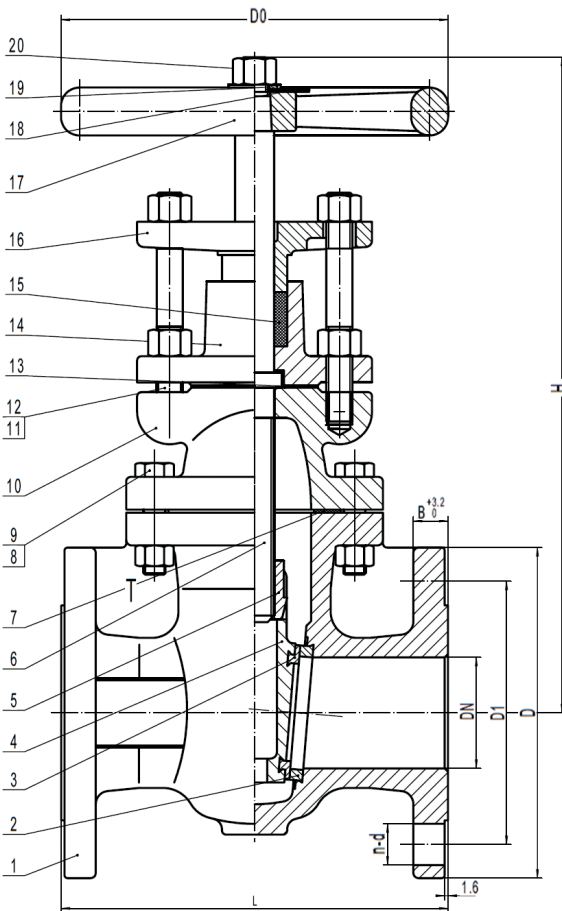
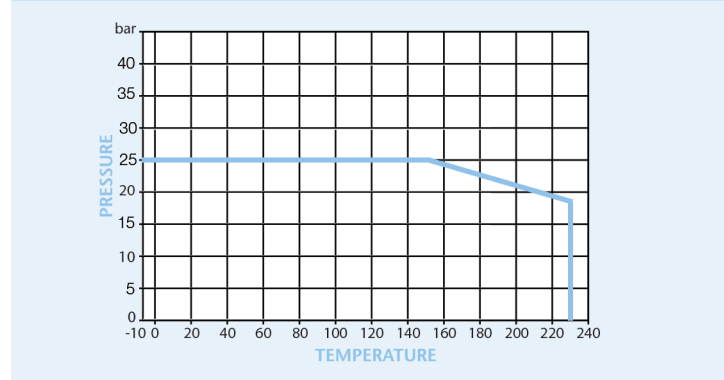


PN25 Cast Iron Gate Valve

Features

- Flange Mounting PN25 Only
- Flange conforms to BS EN1092 PN25
- Conforms to BS5150 (BS EN558-1)
- Non Rising Stem

Pressure/Temperature



	2"	2½"	3"	4"	5"	6"	8"	10"	12"
L	216	241	283	305	381	403	419	457	502
D	165	191	210	254	279	318	381	445	521
D1	125	145	160	190	220	250	310	370	430
D2	99	118	132	156	184	211	274	330	389
f	3	3	3	3	3	3	3	3	4
B	22	25	29	32	35	37	41	48	51
n-d	4-19	8-19	8-19	8-23	8-28	8-28	12-28	12-31	16-31
d0	175	200	254	300	300	348	400	457	457
H	303	338	375	424	499	561	665	810	905
Kgs	17.1	23	27.5	47.7	70	89	126	208	289

Technical Data

Maximum Pressure 25 Bar
 Working Temperature -10°C to +230°C

Dimensions in mm

This data sheet is designed as a guide and should not be regarded as wholly accurate in every detail. We reserve the right to amend the specification of any product without notice.

N.	Part Name	Materials
1	Body	Cast Iron - BS EN1561 EN-GJL-250
2	Body Seat Ring	Cast Bronze - BS1400 LG2
3	Wedge Seat Ring	Cast Bronze - BS1400 LG2
4	Wedge	Cast Iron - BS EN1561 EN-GJL-250
5	Wedge Nut	Cast Brass - BS1400 PCB1
6	Stem	Brass - BS2874 CZ122
7	Gasket	Graphite
8	Bolt	Steel - BS970 43A
9	Nut	Steel - BS970 43A
10	Bonnet	Cast Iron - BS EN1561 EN-GJL-250
11	Gland Follower Bolt	Steel - BS970 43A
12	Nut	Steel - BS970 43A
13	Gasket	Graphite
14	Stuffing Box	Cast Iron - BS EN1561 EN-GJL-250
15	Packing	Graphite
16	Gland Follower	Ductile Iron - BS EN1563 EN-GJS-450-10
17	Handwheel	Cast Iron - BS EN1561 EN-GJL-250
18	Identification Plate	Aluminium
19	Washer	Steel - BS970 43A
20	Nut	Steel - BS970 43A