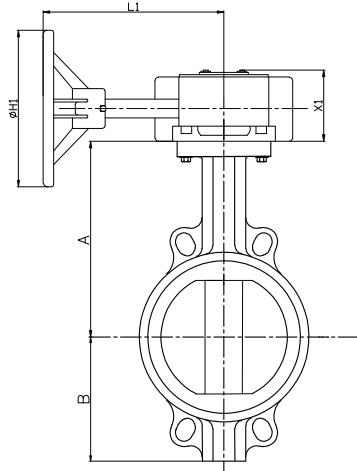
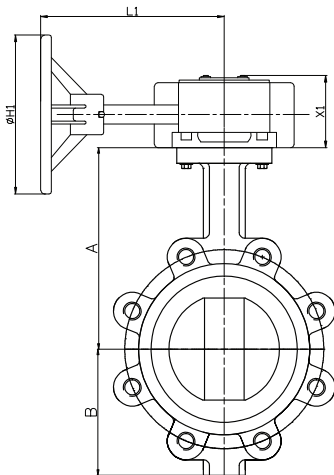


Gearbox when fitted to ART110, 115, 120

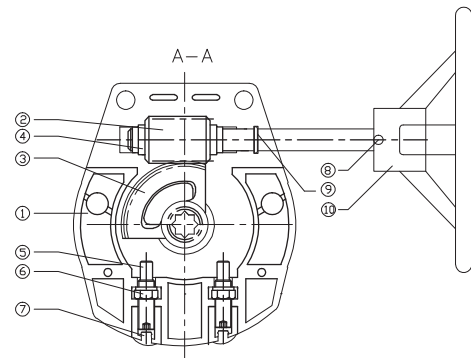
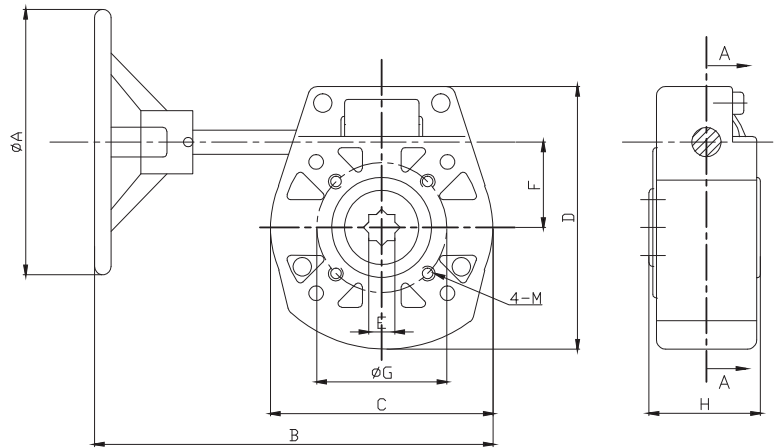


DN	50	65	80	100	125	150	200	250	300
A	142	154	161	179	193	204	250	282	326
B	60	78	87	105	120	138	174	209	242
H1	134	134	134	134	134	134	215	215	215
L1	145	145	145	145	145	145	216	216	216
X1	62	62	62	62	62	62	71	71	71

Gearbox when fitted to ART135, 145



DN	50	65	80	100	125	150	200	250	300
A	142	154	161	179	193	204	250	282	326
B	75	80	91	110	125	137	178	208	241
H1	134	134	134	134	134	134	215	215	215
L1	145	145	145	145	145	145	216	216	216
X1	62	62	62	62	62	62	71	71	71



DN	2"-6"	8"-12"
A	134	215
B	205	302
C	120	172
D	132	189
E	14	22
F	46	70
G	70	102
H	62	72
4-M	4-M8	4-M10

N.	Part Name	Materials
1	Body	Aluminium
2	Worm Gear	Carbon Steel
3	Worm Wheel	Ductile Iron
4	Bushing	Brass
5	Limit Bolt	Carbon Steel
6	Stop Nut	Carbon Steel
7	Rubber Plug	Rubber
8	Pin	Carbon Steel
9	O-Ring	NBR
10	Hand Wheel	Aluminium

Dimensions in mm

This data sheet is designed as a guide and should not be regarded as wholly accurate in every detail. We reserve the right to amend the specification of any product without notice.