

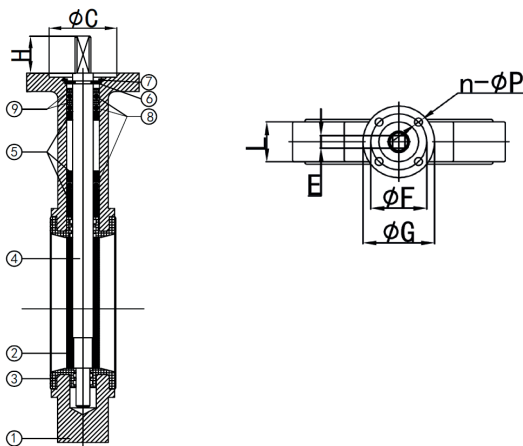
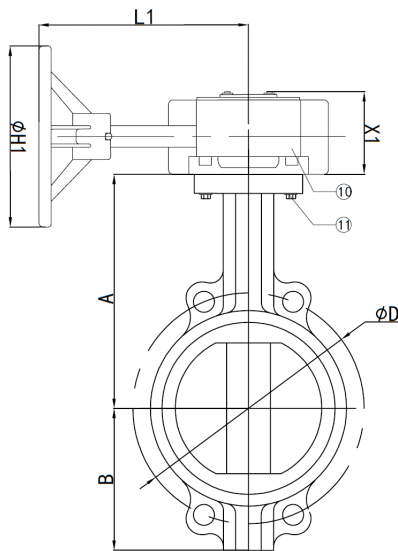
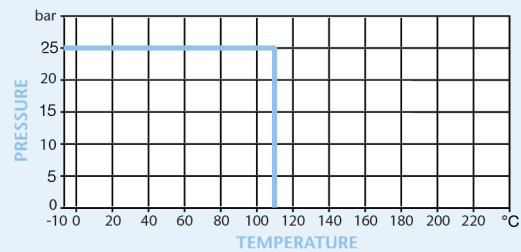


PN25 Ductile Iron Butterfly Valve Wafer Type

Features

- Flange Mounting PN25 Only
- BS5155 (BS EN 593)
- ISO 5211 Direct Mount
- Epoxy Coat Finish
- Vulcanised Liner

Pressure/Temperature



DN	200	250	300
A	247	280	324
B	173	207	250
C	71	71	71
D	310	370	430
E	17	22	22
F	102	102	102
G	125	125	125
L	60	68	78
n-Øp	4-12	4-12	4-12
H	25	30	30
H1	215	215	215
L1	216	216	216
X1	71	71	71
Torque	290	400	510
Kgs	24	34	45

Technical Data

Max Pressure 25 Bar
Working Temperature -10°C to +110°C

N.	Part Name	Materials
1	Body	Ductile Iron GGG40
2	Disc	Stainless Steel 316
3	Seat	EPDM
4	Shaft	Stainless Steel 431
5	Bushing	Brass H65
6	Cotter Pin	Spring Steel 65Mn
7	Circlip	Spring Steel 65Mn
8	O-Ring	NBR
9	Ring	Nylon 6 PA6
10	Gearbox	AL102
11	Bolt	Stainless Steel 304

Dimensions in mm

This data sheet is designed as a guide and should not be regarded as wholly accurate in every detail. We reserve the right to amend the specification of any product without notice.