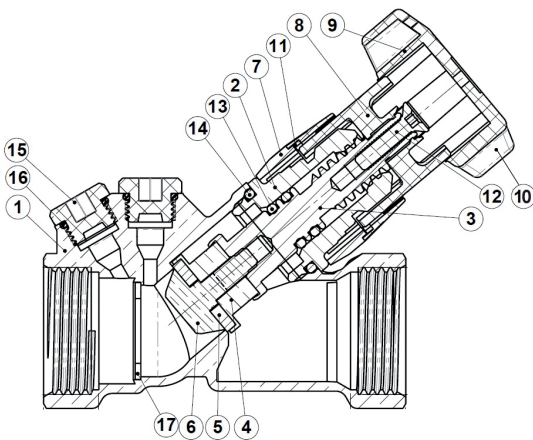
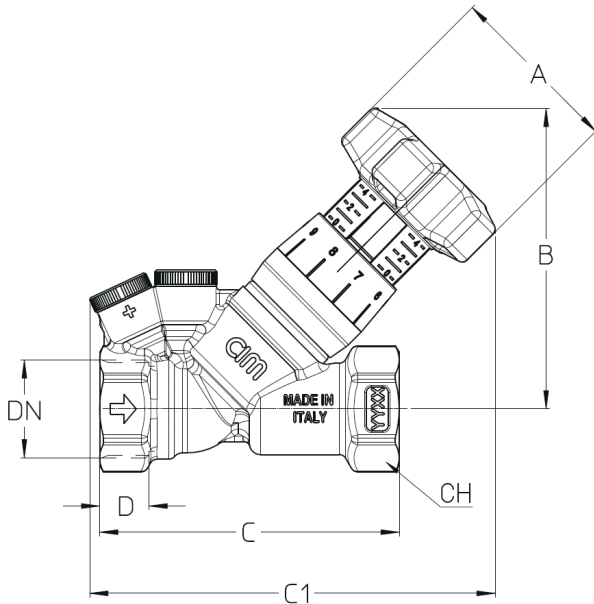


DZR Double Regulating Valve (DRV)

Features

- BSP Parallel (ISO 228/1)
- Handwheel with shut off function and clear 360° reading
- Digital scale with lock function



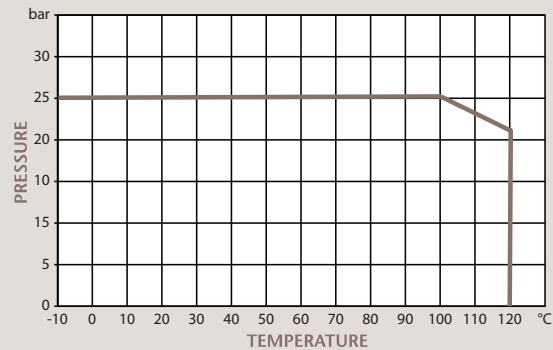
Technical Data

| | |
|---------------------|-----------------|
| Max Pressure | 25 Bar |
| Working Temperature | -10°C to +120°C |

Dimensions in mm

This data sheet is designed as a guide and should not be regarded as wholly accurate in every detail. We reserve the right to amend the specification of any product without notice.

Pressure/Temperature



| DN | 1/2" L | 1/2" | 3/4" | 1" | 1 1/4" | 1 1/2" | 2" |
|-----|--------|------|-------|------|--------|--------|-------|
| A | 50 | 50 | 50 | 50 | 50 | 50 | 50 |
| B | 83 | 83 | 82 | 84 | 87 | 107 | 103 |
| C | 72.5 | 72.5 | 82 | 95 | 122 | 138 | 161 |
| C1 | 107 | 107 | 110.5 | 124 | 131 | 149 | 164 |
| D | 12.5 | 12.5 | 12.5 | 14.5 | 16 | 16 | 16 |
| CH | 25 | 25 | 31 | 38 | 47 | 55 | 66 |
| Kv | 0.533 | 2.00 | 3.88 | 7.28 | 13.39 | 18.60 | 30.10 |
| Kgs | 0.36 | 0.36 | 0.42 | 0.50 | 0.85 | 1.33 | 1.46 |

| N. | Part Name | Materials |
|----|---------------------|-----------|
| 1 | Valve Body | DZR Brass |
| 2 | Bonnet | DZR Brass |
| 3 | Stem for Shutter | DZR Brass |
| 4 | Adapter for Shutter | Brass |
| 5 | Shutter Gasket | EPDM |
| 6 | Disc | Brass |
| 7 | Fixed Index | POM |
| 8 | Entrainer | Nylon 6 |
| 9 | Knob | Nylon 6 |
| 10 | Handwheel | Plastic |
| 11 | Tenth Turn Index | POM |
| 12 | Memory Screw | Steel |
| 13 | Stem O-Ring | EPDM |
| 14 | Bonnet O-Ring | EPDM |
| 15 | Cap | Nylon |
| 16 | O-Ring | EPDM |
| 17 | Fixed Orifice | DZR Brass |