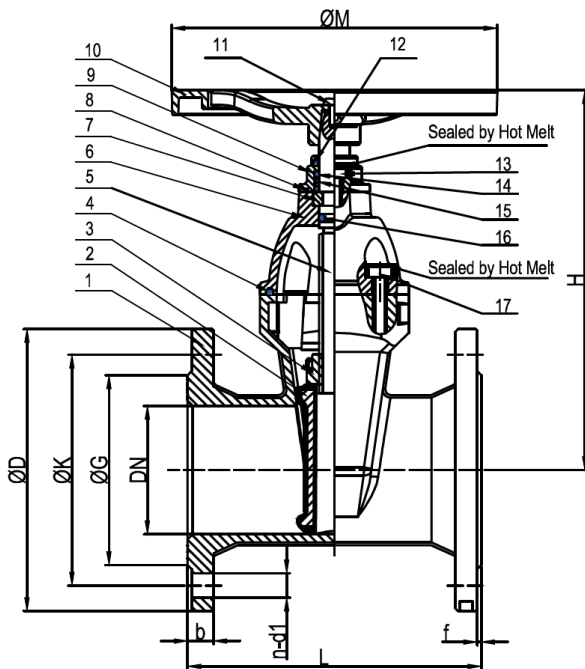
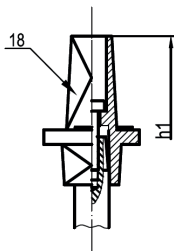




Handwheel, gearbox or cap top operation

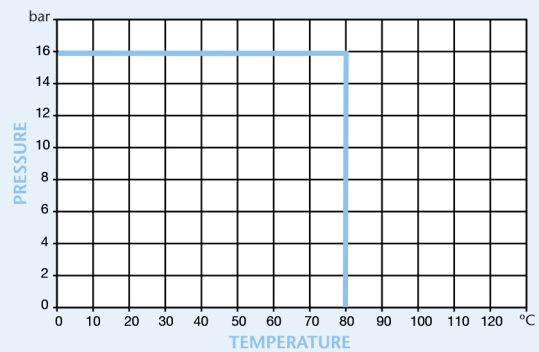


PN16 Ductile Iron Resilient Seat Gate Valve

Features

- BS5163, Type B cover and stem
- Non rising stem, clockwise closing
- Flange mounting to EN1092-2 PN16
- Face to face length to EN558-1 Series 3
- WRAS Approved
- Internally and externally fusion bonded epoxy coated

Pressure/Temperature



	1½"	2"	2½"	3"	4"	5"	6"	8"	10"	12"	14"	16"	18"	20"	24"
L	165	178	190	203	229	254	267	292	330	356	381	406	432	457	508
H	190	215	235	265	315	350	385	485	600	680	810	890	1050	1230	1260
M	200	200	200	254	254	315	315	315	406	406	500	500	500	650	650
h1	260	285	300	320	390	430	470	560	680	770	900	1000	1150	1330	1510
D	150	165	185	200	220	250	285	340	405	460	520	580	640	715	840
K	110	125	145	160	180	210	240	295	355	410	470	525	585	650	770
G	84	99	118	132	156	184	211	266	319	370	429	480	548	609	720
n-d1	4-Ø19	4-Ø19	4-Ø19	8-Ø19	8-Ø19	8-Ø19	8-Ø19	12-Ø23	12-Ø23	12-Ø28	16-Ø28	16-Ø31	20-Ø31	20-Ø34	20-Ø37
b	19	19	19	19	19	19	19	20	22	24.5	26.5	28	30	31.5	36
f	3	3	3	3	3	3	3	3	3	4	4	4	4	4	5
Kgs	7	9	12	14	19	24	31	52	87	116	185	225	360	450	690

N.	Part Name	Materials
1	Body	Ductile Iron GGG50 - BS2789
2	Disc	Ductile Iron GGG50 + EPDM (WRAS)-BS2789
3	Stem Nut	Brass HPb59-1 - BS2872-2874
4	Bonnet Gasket	EPDM (WRAS) - ISO4633
5	Stem	Stainless Steel 316 - BS970
6	Bonnet	Ductile Iron GGG50 - BS2789
7	Holding Ring	Brass HPb59-1 - BS2872-2874
8	O-Ring	EPDM (WRAS) - ISO4633
9	Gland	Ductile Iron GGG50 - BS2789
10	Hand Wheel	Ductile Iron GGG50 - BS2789
11	Screw	Stainless Steel 316 - BS970
12	Dust Ring	EPDM (WRAS) - ISO4633
13	Gland Bolts	Stainless Steel 316 - BS970
14	O-Ring	EPDM (WRAS) - ISO4633
15	Washers	Nylon 66
16	O-Ring	EPDM (WRAS) - ISO4633
17	Bonnet Bolts	Stainless Steel 316 - BS970
18	Cap Top	Ductile Iron GGG50 - BS2789

Technical Data

Maximum Pressure 16 Bar
Working Temperature 0°C to +80°C

Dimensions in mm

This data sheet is designed as a guide and should not be regarded as wholly accurate in every detail. We reserve the right to amend the specification of any product without notice.