

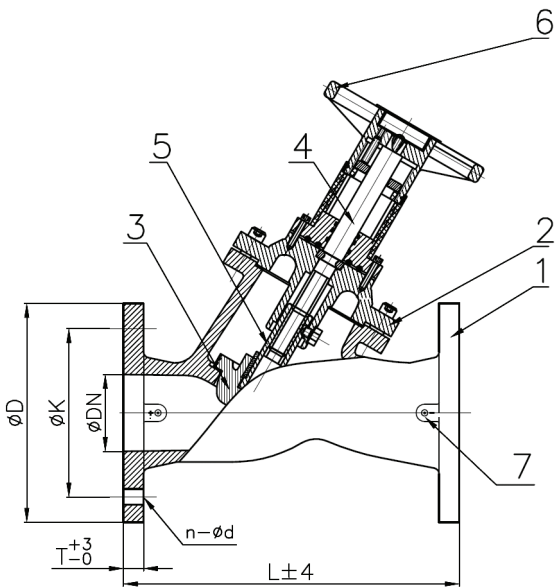
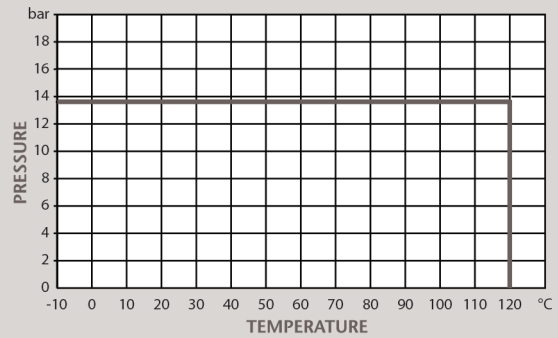


ANSI Ductile Iron Double Regulating Valve (DRV)

Features

- Flanged ANSI 125 (B16.1)
- Position indicator
- Double regulating device
- Supplied with 2 test points and extensions
- EPDM cone seating gives tight shut off
- Body ductile iron
- Conforms to BS 5152 / BS 7350 / API 598

Pressure/Temperature



DN	50	65	80	100	125	150	200	250	300
D	152	178	191	229	254	279	343	406	483
K	121	140	152	191	216	241	299	362	432
n-Ød	4-19	4-19	4-19	8-19	8-22.4	8-22.4	8-22.4	12-25.4	12-25.4
T	16	18	19	24	24	25	29	30	32
L	230	290	310	350	400	480	600	730	850
Kgs	12.5	16.0	21.0	30.0	42.0	56.0	126.0	195.0	289.0

Technical Data

Max Pressure	13.8 Bar
Working Temperature	-10°C to +120°C

N.	Part Name	Materials
1	Body	Ductile Iron
2	Cover	Cast Iron
3	Disc	Cast Iron + EPDM
4	Stem	Stainless Steel 410
5	Stem Nut	Brass
6	Handwheel	Aluminium Alloy / Carbon Steel
7	Plug	Carbon Steel

Dimensions in mm

This data sheet is designed as a guide and should not be regarded as wholly accurate in every detail. We reserve the right to amend the specification of any product without notice.