

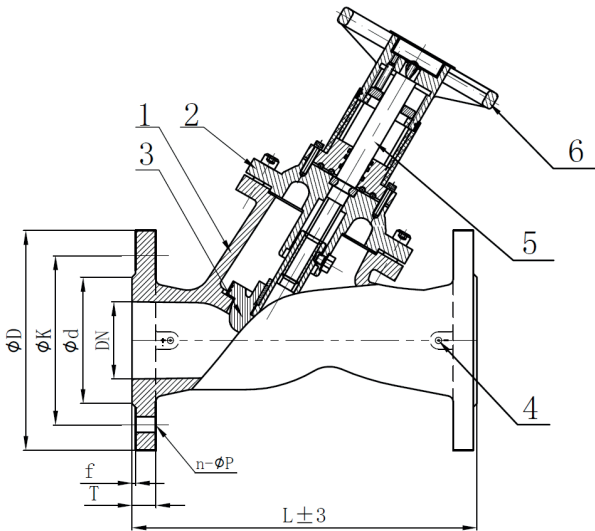
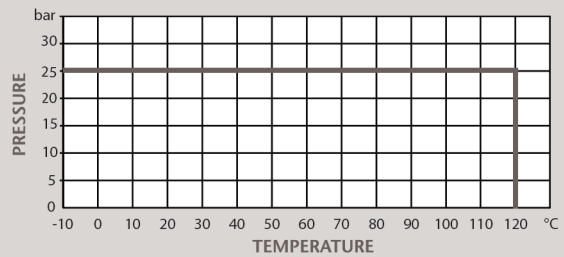


## PN25 Ductile Iron Double Regulating Valve (DRV)

### Features

- Flange Mounting PN25 Only
- Flange conforms to BS EN1092 PN25
- Position indicator
- Double regulating device
- Supplied with 2 test points and extensions
- EPDM cone seating gives tight shut off
- Body ductile iron
- Conforms to BS 5152 / BS 7350

### Pressure/Temperature



DN	50	65	80	100	125	150
L	230	290	310	350	400	480
$\phi D$	165	185	200	235	270	300
$\phi K$	125	145	160	190	220	250
$\phi d$	99	118	132	156	184	211
n- $\phi P$	4- $\phi 19$	8- $\phi 19$	8- $\phi 19$	8- $\phi 23$	8- $\phi 28$	8- $\phi 28$
T	19	19	19	19	19	20
f	3	3	3	3	3	3
Kgs	14.4	18.4	24.2	34.5	48.3	64.4

### Technical Data

Max Pressure	25 Bar
Working Temperature	-10°C to +120°C

Dimensions in mm

This data sheet is designed as a guide and should not be regarded as wholly accurate in every detail. We reserve the right to amend the specification of any product without notice.

N.	Part Name	Materials
1	Body	Ductile Iron
2	Cover	Ductile Iron
3	Disc	Ductile Iron + EPDM
4	Plug	Carbon Steel
5	Shaft	Stainless Steel 410
6	Handwheel	Aluminium Alloy / Carbon Steel