

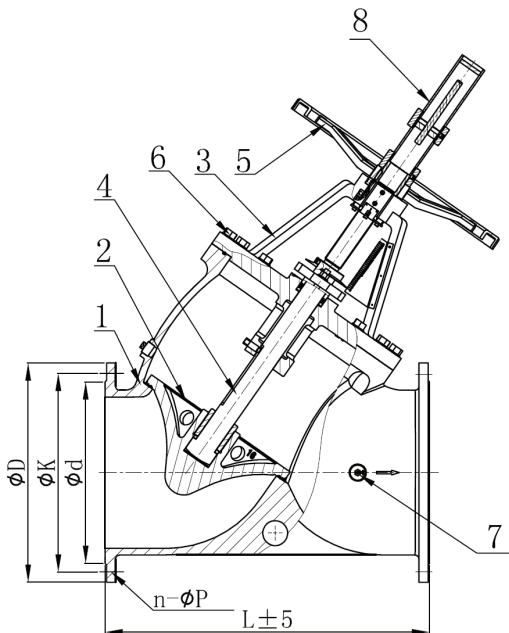
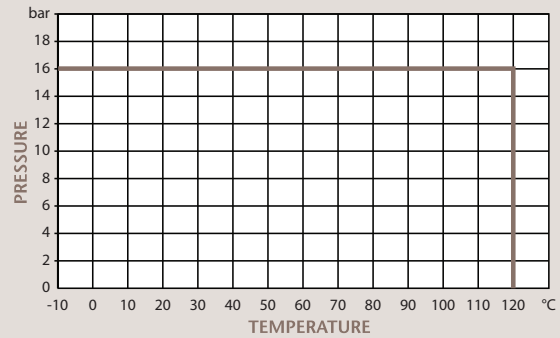


PN16 Ductile Iron Double Regulating Valve (DRV)

Features

- Flange Mounting PN16 Only
- Flange conforms to BS EN1092 PN16
- Position indicator
- Double regulating device
- Supplied with 2 test points and extensions
- EPDM cone seating gives tight shut off
- Body ductile iron
- Maximum differential pressure 500kPa

Pressure/Temperature



Technical Data

Max Pressure	16 Bar
Working Temperature	-10°C to +120°C

Dimensions in mm

This data sheet is designed as a guide and should not be regarded as wholly accurate in every detail. We reserve the right to amend the specification of any product without notice.

DN	350	400	450
D	520	580	640
K	470	525	585
n-ØP	16-Ø28	16-Ø31	20-Ø31
d	429	480	548
L	772	858	938
Kgs	350	475	810

N.	Part Name	Materials
1	Body	Ductile Iron
2	Disc	Ductile Iron + EPDM
3	Cover	Ductile Iron
4	Shaft	Stainless Steel 410
5	Handwheel	Cast Iron
6	Bolt	Carbon Steel
7	Plug	Carbon Steel
8	Locking Devices	Carbon Steel