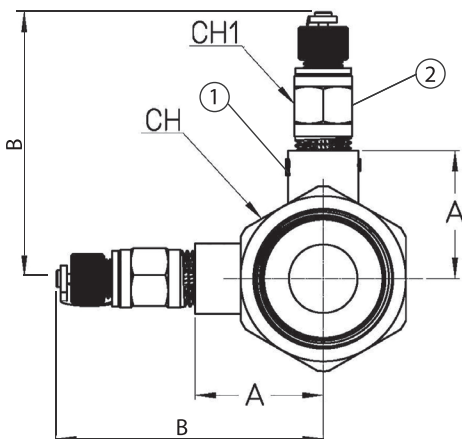
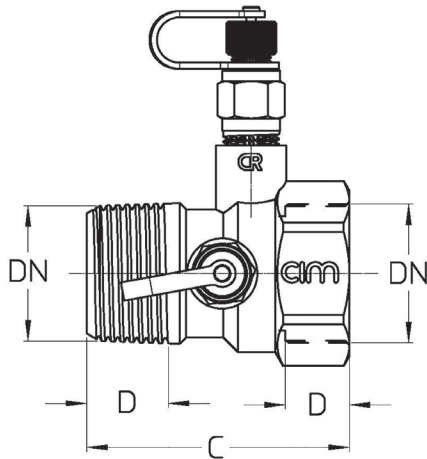


PN20 DZR Brass Orifice Plate (OP)

Features

- BSP Parallel (1/2") Taper (3/4 - 2") (ISO 7/1)
- Fixing orifice with $\pm 5\%$ flow measurement accuracy
- Can be close coupled to a double regulating valve
- Supplied with 2 fitted test points
- 1/2" available in Std, Med, Low, Ultra Low and Ultra Ultra Low flow versions



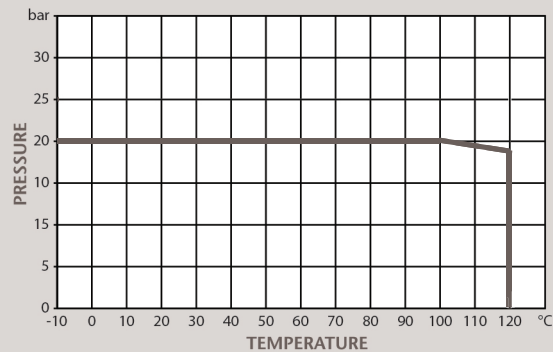
Technical Data

Max Pressure	20 Bar
Working Temperature	-10°C to +120°C

Dimensions in mm

This data sheet is designed as a guide and should not be regarded as wholly accurate in every detail. We reserve the right to amend the specification of any product without notice.

Pressure/Temperature



DN	1/2"UUL	1/2"UL	1/2"L	1/2"M	1/2"
A	25	25	25	25	25
B	59	59	59	59	59
C	66.5	66.5	66.5	66.5	66.5
D	17	17	17	17	17
CH	28	28	28	28	28
CH1	14	14	14	14	14
Kvs	0.10	0.23	0.47	0.98	1.80
Kgs	0.23	0.23	0.23	0.23	0.23

DN	3/4"	1"	1 1/4"	1 1/2"	2"
A	28	31	36	39	45
B	62	65	70	73	79
C	66.5	63.5	71	71	79.5
D	17	19	22	21	26
CH	34	40	51	56	71
CH1	14	14	14	14	14
Kvs	4.06	7.45	16.63	23.00	47.35
Kgs	0.27	0.32	0.47	0.53	0.81

N.	Part Name	Materials
1	Body	DZR Brass
2	Binder Test Point	DZR Brass