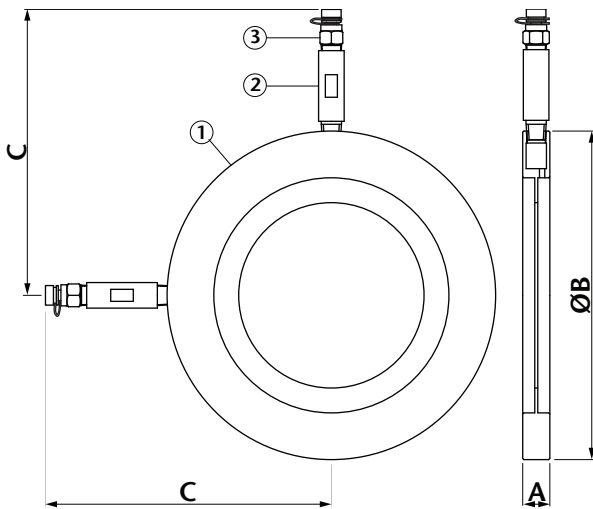


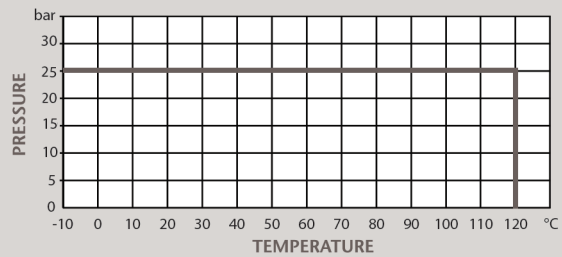
PN25 Stainless Steel Orifice Plate (OP)

Features

- Wafer pattern
- Fits between BS EN1092 flanges PN25
- Flow characteristic confirmed to BS 7350
- Fixed orifice with $\pm 5\%$ flow measurement accuracy
- Can be close coupled to a double regulating valve
- Supplied with 2 extensions and test points



Pressure/Temperature



DN	50	65	80	100	125	150	200	250	300
A	22	22	22	22	22	22	22	22	22
B	108	127	142	168	194	224	284	340	400
C	136	145	153	166	179	194	224	252	282
Kgs	1.1	1.3	1.7	2.2	3.3	3.6	5.5	6.1	11.0

DN	350	400	450	500	600
A	22	22	32	32	32
B	457	514	564	624	730
C	310	339	364	394	447
Kgs	13.8	16.8	30.8	33.0	43.5

Technical Data

Max Pressure	25 Bar
Working Temperature	-10°C to +120°C

Dimensions in mm

This data sheet is designed as a guide and should not be regarded as wholly accurate in every detail. We reserve the right to amend the specification of any product without notice.

N.	Part Name	Materials
1	Body	304 Stainless Steel
2	Extension	304 Stainless Steel
3	Pressure Test Point	Brass