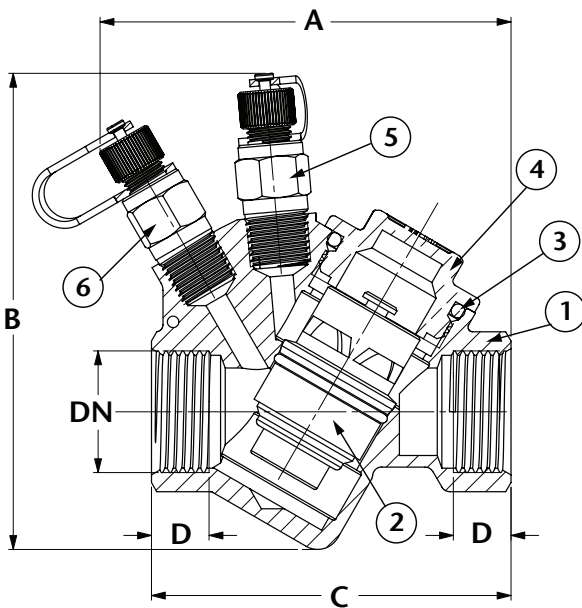
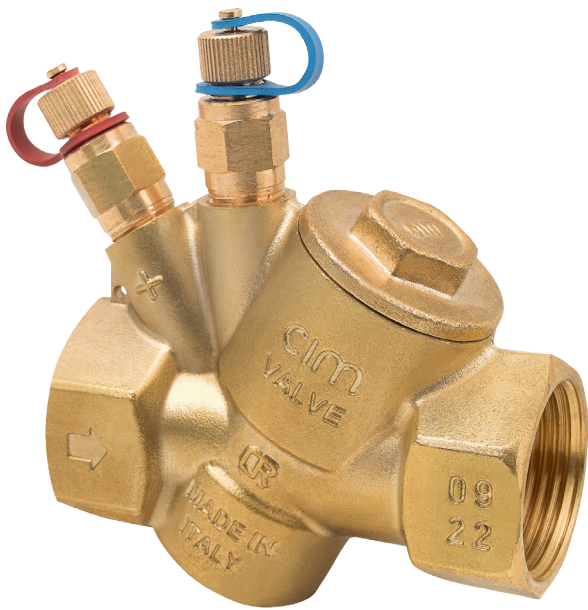


Threaded Automatic Flow Balancing Valve - Constant Flow Regulator (CFR)

Features

- DZR Brass body (CW602N-M)
- BSP Parallel (ISO 7/1)
- Wide cartridge selection available
- 0.007 I/S to 3.154 I/S
- Easy removable cartridges for inspection on cleaning
- System balancing is assured automatically even under fluctuating pressures
- Decrease in installation cost due to fewer valves required and no commissioning costs
- Self cleaning cartridge design



Technical Data

Max Pressure	25 Bar
Working Temperature	-10°C to +120°C

Dimensions in mm

This data sheet is designed as a guide and should not be regarded as wholly accurate in every detail. We reserve the right to amend the specification of any product without notice.

DN	15	20	25	25L	32	40	50
A	89	89	93	125	125	125	130
B	103	103	103	141	141	141	141
C	78	78	85	123	123	123	132
D	11.5	12.5	14.5	14.5	16.8	16.8	21.1
Kgs	0.51	0.53	0.62	1.51	1.53	1.59	1.71

Note: 25L is 25 Large

This is a 32mm body and cartridge but the valve has a 1" BSP connection for increased flow rates.

N.	Part Name	Materials
1	Body	DZR Brass
2	Cartridge	DZR Brass
3	O-Ring	EPDM
4	Plug	DZR Brass
5	Blue Binder Point	DZR Brass
6	Red Binder Point	DZR Brass