

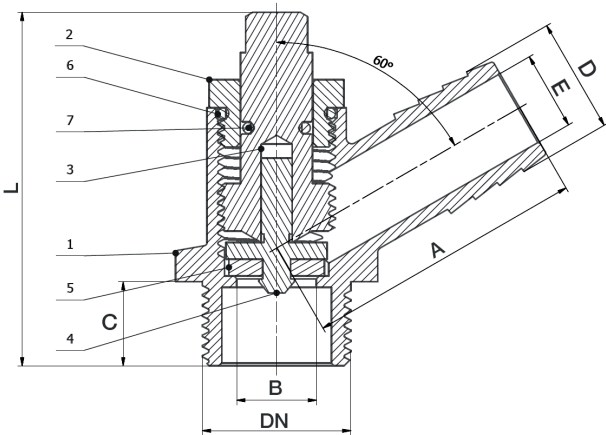
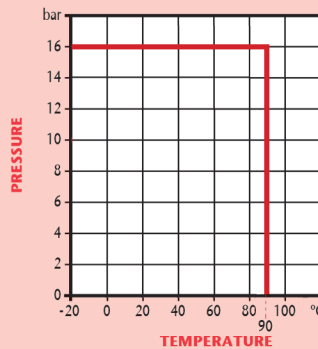
Brass Drain Cock

Features

- Screwed Male BSP Parallel (ISO 228/1)
- BS 2879/2 Type A
- Hose connection outlet
- WRAS Approved



Pressure / Temperature



DN	1/2"	3/4"
A	32.5	50
B	Ø9.5	Ø14.2
C	12.5	15
D	Ø14	Ø20.5
E	Ø9.5	Ø14
L	45-49.5	63-69.5
Kgs	0.08	0.21

Technical Data

Max Pressure	16 Bar
Max Temperature	-20°C to +90°C

N.	Part Name	Materials
1	Body	Brass
2	Bonnet	Brass
3	Stem	Brass
4	Baffle	Brass
5	Washer	EPDM
6	O-Ring	EPDM
7	O-Ring	EPDM

Dimensions in mm

This data sheet is designed as a guide and should not be regarded as wholly accurate in every detail. We reserve the right to amend the specification of any product without notice.