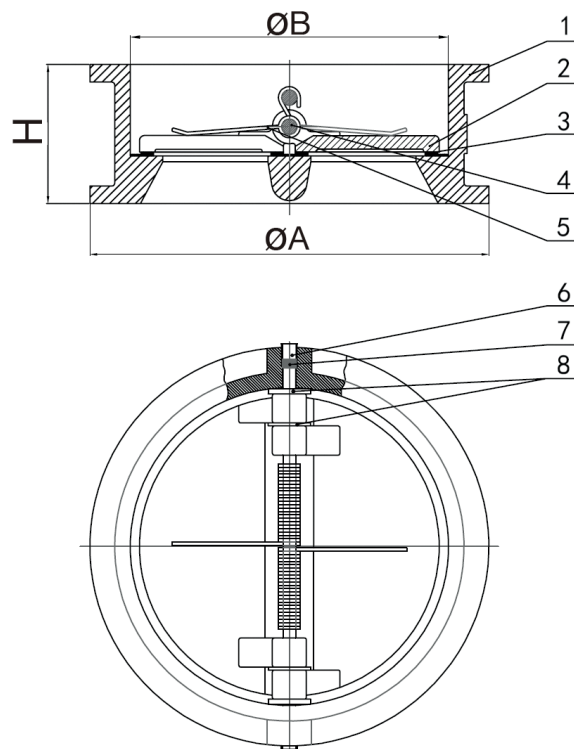
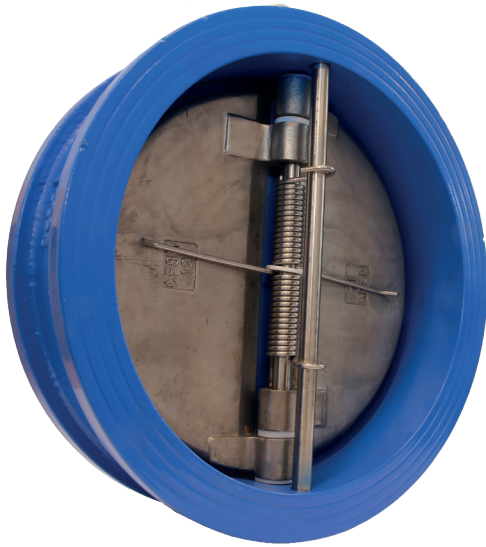


## Cast Iron Dual Plate Wafer Check Valve

### Features

- Flange Mounting to suit ANSI B16.42 Class 150 only
- Conforms to API 594
- Epoxy Coat Finish



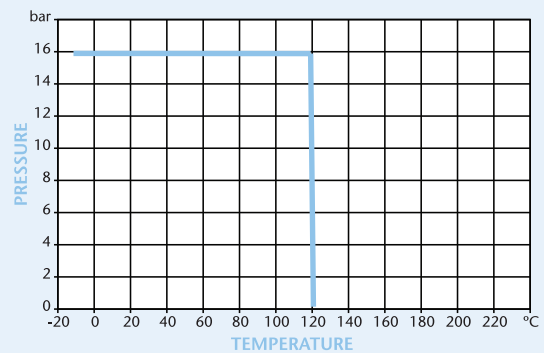
### Technical Data

Maximum Pressure 16 Bar  
Working Temperature -10°C to +120°C

Dimensions in mm

This data sheet is designed as a guide and should not be regarded as wholly accurate in every detail. We reserve the right to amend the specification of any product without notice.

### Pressure/Temperature



DN	350	400	450	500	600
A	447	511	546	603	714
B	375	416	467	514	616
H	184	191	203	219	222
Kgs	69	80	103	118	192

N.	Part Name	Materials
1	Body	Cast Iron GG25
2	Disc	Stainless Steel CF8M
3	Seat	EPDM
4	Shaft	Stainless Steel 410
5	Spring	Stainless Steel 316
6	Plug	Steel
7	Plug	NBR
8	Washer	PTFE