

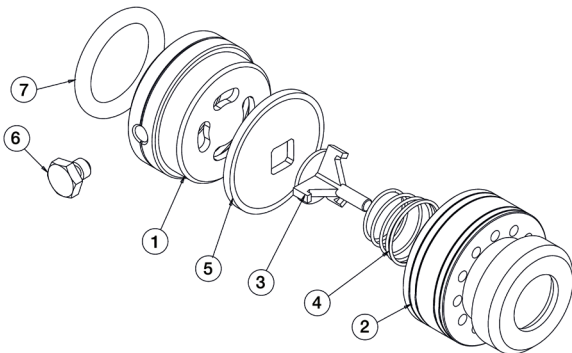
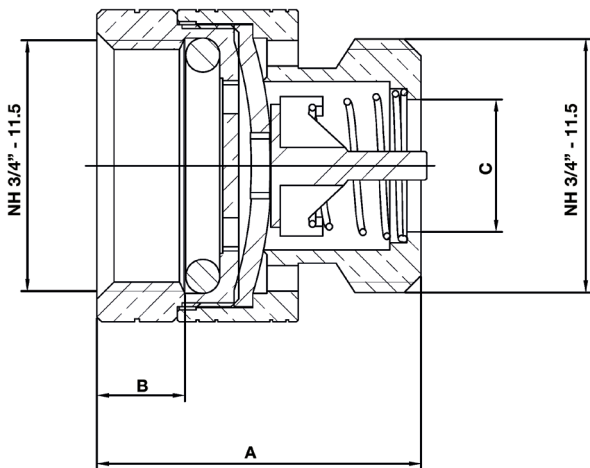
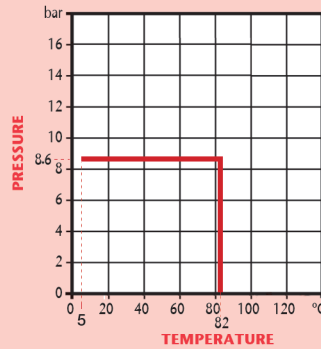
Lead Free Brass Vacuum Breaker



Features

- Male / Female NHT Threads
- Conforms to ANSI A1 12.1.13 ASSE standard 1011
- Anti tamper screw
- Manual drain feature

Pressure / Temperature



DN	3/4"
A	34.3
B	9.3
C	14.0
Kgs	0.11

Technical Data

Max Pressure	125psi (8.6 Bar)
Max Temperature	+5°C to +82°C

N.	Part Name	Materials
1	Body	Lead Free Brass C46500
2	Bonnet	Lead Free Brass C46500
3	Core	POM
4	Spring	Stainless Steel
5	Gasket	NBR
6	Screw	Brass
7	O-Ring	NBR

Dimensions in mm

This data sheet is designed as a guide and should not be regarded as wholly accurate in every detail. We reserve the right to amend the specification of any product without notice.