

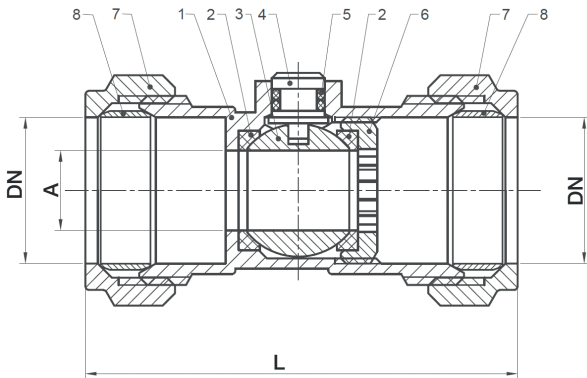
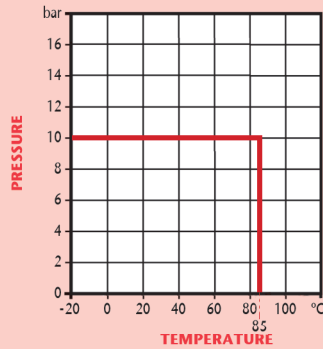


## Compression Isolation Valve

### Features

- Compression ends in accordance with BS EN1254-2
- WRAS Approved

### Pressure / Temperature



DN	15	22
A	Ø8	Ø12
L	50	65
Kgs	0.07	0.16

N.	Part Name	Materials
1	Body	Brass Nickel Plated
2	Sealing Ring	Silicone
3	Ball	Brass Chrome Plated
4	Stem	Brass
5	O-Ring	NBR
6	Pressure Cap	Brass
7	Cap	Brass Nickel Plated
8	Olive	Copper

### Technical Data

Max Pressure	10 Bar
Max Temperature	-20°C to +85°C

Dimensions in mm

This data sheet is designed as a guide and should not be regarded as wholly accurate in every detail. We reserve the right to amend the specification of any product without notice.