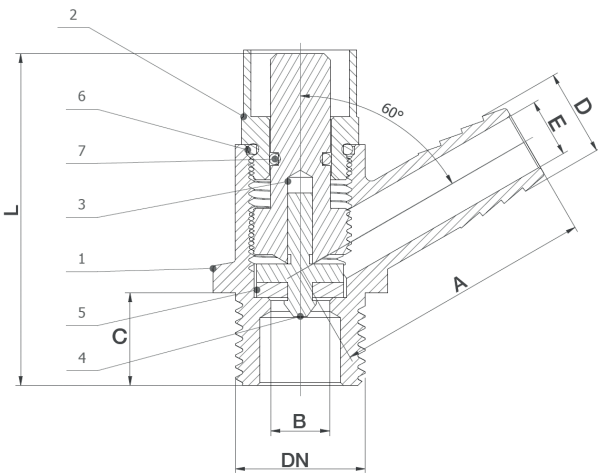


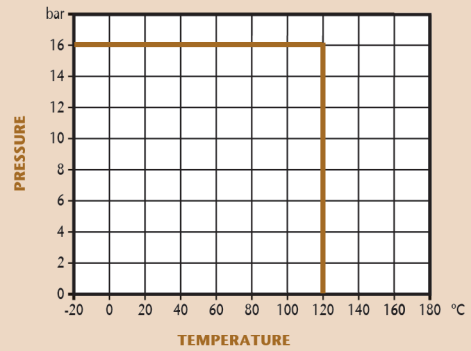
Bronze Drain Cock (Lockshield)

Features

- Screwed Male BSP Taper (ISO 7/1)
- BS 2879/2 Type A
- Hose connection outlet



Pressure / Temperature



DN	1/2"	3/4"
A	42	54
B	Ø9.5	Ø14.2
C	15	17
D	Ø14	Ø20.5
E	Ø9.5	Ø14
L	53.5-58.5	65-71.5
Kgs	0.13	0.27

N.	Part Name	Materials
1	Body	Bronze
2	Bonnet	Brass
3	Stem	Brass
4	Baffle	Brass
5	Washer	EPDM
6	O-Ring	EPDM
7	O-Ring	EPDM

Technical Data

Max Pressure	16 Bar
Working Temperature	-20°C to +120°C

Dimensions in mm

This data sheet is designed as a guide and should not be regarded as wholly accurate in every detail. We reserve the right to amend the specification of any product without notice.