

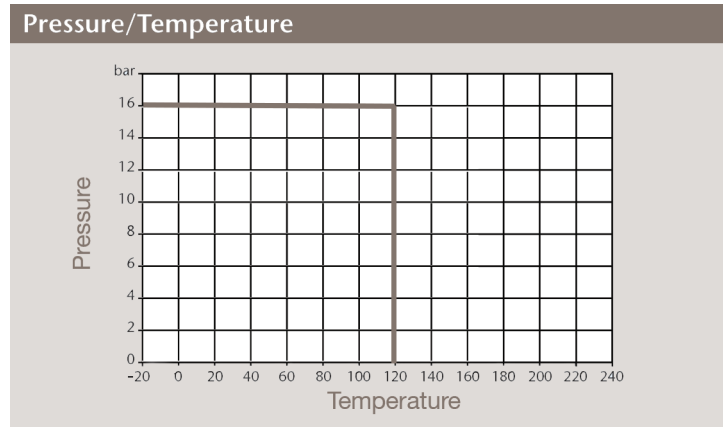
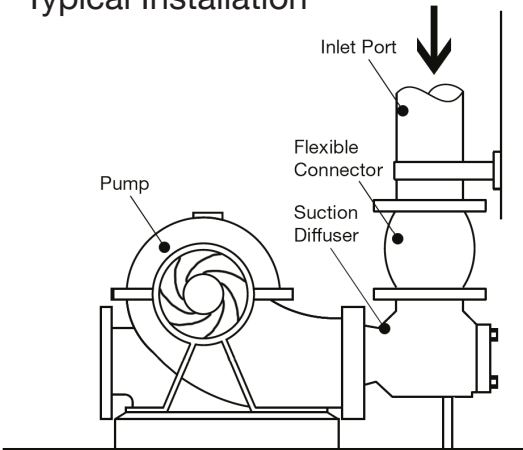
PN16 Cast Iron Suction Diffuser



Features

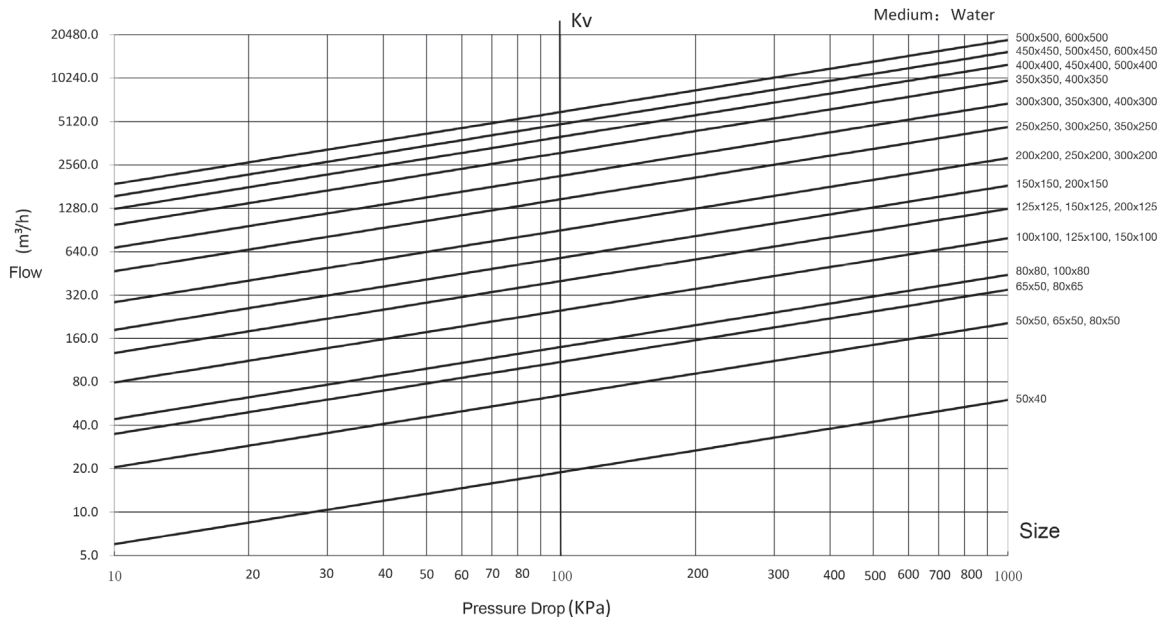
- Designed for suction side of pump installations
- Prevents debris and foreign materials entering the pump
- Low pressure drop
- Available with reduced and equal inlet / outlets
- Flange conforms to EN1092-2

Typical Installation



Technical Data

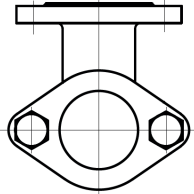
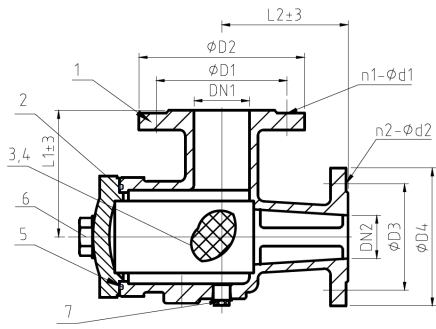
Max Pressure	16 Bar
Working Temperature	-20°C to +120°C



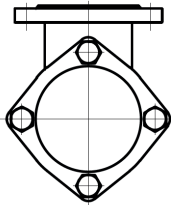
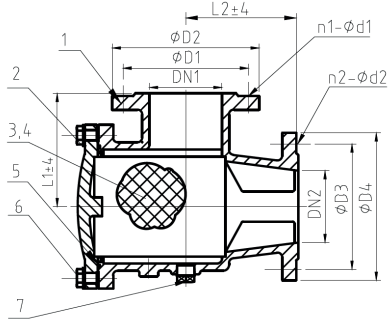
Dimensions in mm

This data sheet is designed as a guide and should not be regarded as wholly accurate in every detail. We reserve the right to amend the specification of any product without notice.

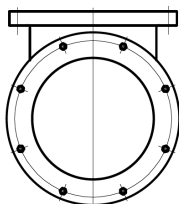
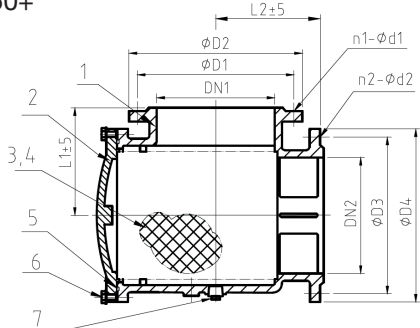
DN50 x DN40 - DN100 x DN100



DN125 x DN100, DN125 x DN125, DN150 x DN100 & DN200 x DN125



DN150 x DN125, DN150 x DN150 & DN200 x DN150+



DN1xDN2	ØD1	ØD2	N1-ØD1	ØD3	ØD4	N2-ØD2	L1	L2	Kgs
50x40	125	165	4-19	110	150	4-19	114.4	114.4	12
50x50	125	165	4-19	125	165	4-19	114.4	114.4	14.5
65x50	145	185	4-19	125	165	4-19	126.5	126.5	18
65x65	145	185	4-19	145	185	4-19	126.5	126.5	20
80x50	160	200	8-19	125	165	4-19	139.7	114	17
80x65	160	200	8-19	145	185	4-19	140.1	140.1	25
80x80	160	200	8-19	160	200	8-19	140.1	140.1	26
100x80	180	220	8-19	160	200	8-19	165	165	36
100x100	180	220	8-19	180	220	8-19	165	165	40
125x100	210	250	8-19	180	220	8-19	191.5	191.5	51
125x125	210	250	8-19	210	250	8-19	191.5	191.5	53
150x100	240	285	8-23	180	220	8-19	203	165	58
150x125	240	285	8-23	210	250	8-19	203	203	65
150x150	240	285	8-23	240	285	8-23	203	203	68
200x125	295	340	12-23	210	250	8-19	192	229	60
200x150	295	340	12-23	240	285	8-23	228.6	203	88
200x200	295	340	12-23	295	340	12-23	229	229	120
250x200	355	405	12-28	299.5	340	12-23	279.4	229	130
250x250	355	405	12-28	355	405	12-28	279	279	145
300x200	410	460	12-28	295	340	12-23	280	280	175
300x250	410	460	12-28	355	405	12-28	304.8	279	220
300x300	410	460	12-28	410	460	12-28	304.8	304.8	250
350x250	470	520	16-28	355	405	12-28	318	328	270
350x300	470	520	16-28	410	460	12-28	318	328	280
350x350	470	520	16-28	470	520	16-28	318	328	292
400x300	525	580	16-31	410	460	12-28	334	364	315
400x350	525	580	16-31	470	520	16-28	334	364	335
400x400	525	580	16-31	525	580	16-31	334	364	360
450x350	585	640	20-31	470	520	16-28	370	389	375
450x400	585	640	20-31	525	580	16-31	370	389	397
450x450	585	640	20-31	585	640	20-31	370	389	410
500x400	650	715	20-34	525	580	16-31	406	428	497
500x450	650	715	20-34	585	640	20-31	406	428	512
500x500	650	715	20-34	650	715	20-34	406	428	530
600x450	770	840	20-37	585	640	20-31	470	480	745
600x500	770	840	20-37	650	715	20-34	470	480	760
600x600	770	840	20-37	770	840	20-37	470	480	775

N.	Part Name	Materials
1	Body	Cast Iron
2	Cover	Cast Iron
3	Screen	Stainless Steel 304
4	Woven Mesh	Stainless Steel 304
5	O-Ring	EPDM
6	Bolt	Carbon Steel
7	Plug	Carbon Steel

Dimensions in mm

This data sheet is designed as a guide and should not be regarded as wholly accurate in every detail. We reserve the right to amend the specification of any product without notice.