

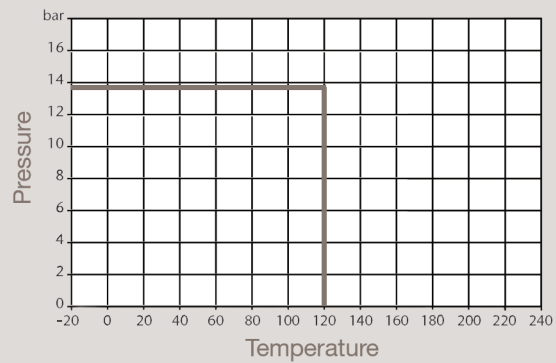


ANSI 125 Cast Iron Triple Duty Valve

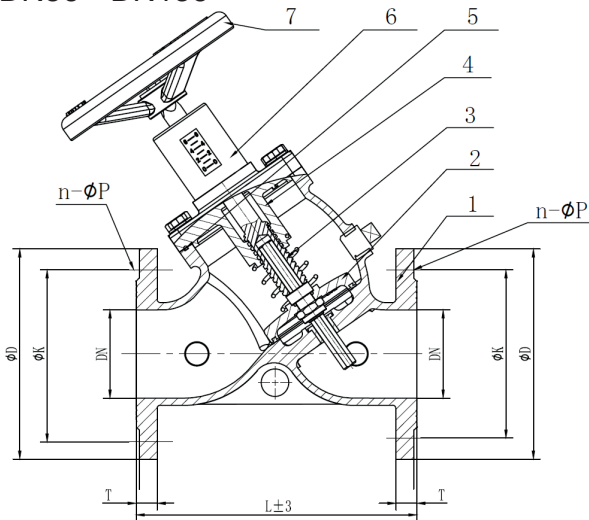
Features

- Combines three functions in one valve
- Isolation, flow regulation and a spring check valve
- Position Indicator
- Designed for discharge side of pump installations
- Flanged ANSI 125 (B16.1)

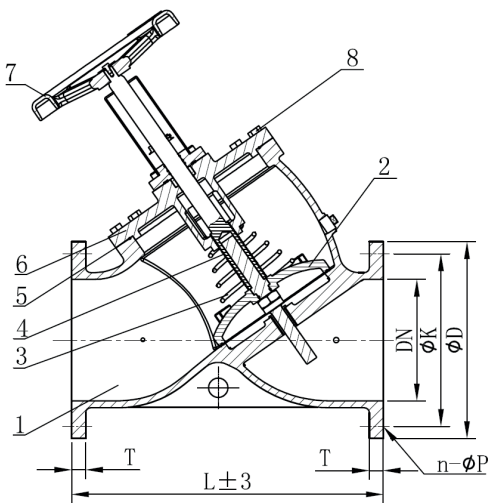
Pressure/Temperature



DN50 - DN150



DN200 - DN300



Technical Data

Max Pressure	13.8 Bar
Working Temperature	-20°C to +120°C

	L	ØD	ØK	T	N-ØP	Kgs
2"	213	152.4	120.7	15.8	4-19	12
2½"	250	177.8	139.7	17.5	4-19	16
3"	254	190.5	152.4	19.1	4-19	19
4"	368	228.6	190.5	23.9	8-19	40
5"	407	254	215.9	23.9	8-22.4	46
6"	457	279.4	241.3	25.4	8-22.4	70
8"	546	342.9	298.5	28.5	8-22.4	120
10"	648	406.4	362	30.2	12-25.4	240
12"	762	482.6	431.8	31.8	12-25.4	350

DN50 - DN150

N.	Part Name	Materials
1	Body	Cast Iron
2	Disc	Ductile Iron + EPDM
3	Shaft	Stainless Steel 410
4	Cover	Cast Iron
5	Sealing Ring	EPDM
6	Calibration Device	Plastic ABS
7	Handwheel	Carbon Steel

DN200 - DN300

N.	Part Name	Materials
1	Body	Cast Iron
2	Disc	Ductile Iron + EPDM
3	Spring	Stainless Steel 304
4	Shaft	Stainless Steel 410
5	O-Ring	EPDM
6	Cover	Cast Iron
7	Handwheel	Carbon Steel
8	Bolt	Carbon Steel

Dimensions in mm

This data sheet is designed as a guide and should not be regarded as wholly accurate in every detail. We reserve the right to amend the specification of any product without notice.