

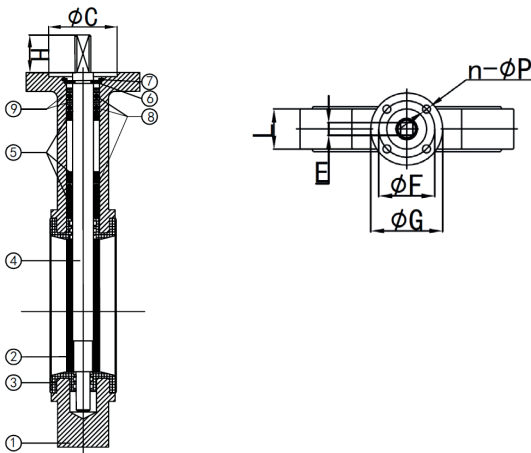
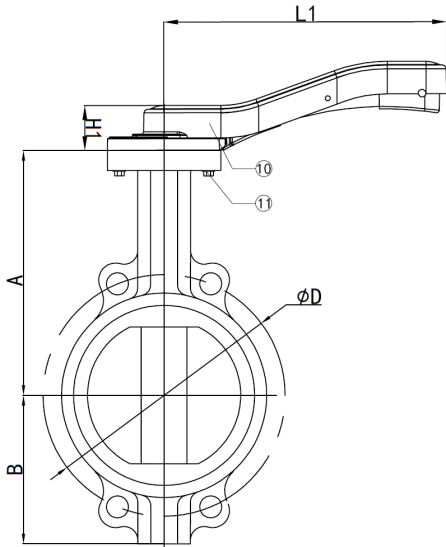
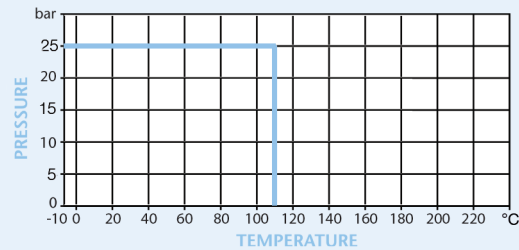


PN25 Ductile Iron Butterfly Valve Wafer Type

Features

- Flange Mounting PN25 Only
- BS5155 (BS EN 593)
- ISO 5211 Direct Mount
- Lockable Handle
- Epoxy Coat Finish
- Vulcanised Liner

Pressure/Temperature



DN	50	65	80	100	125	150
A	141	153	161	178	193	204
B	61	72	87	106	123	138
C	56	56	56	56	56	56
D	125	145	160	190	220	250
E	11	11	11	11	14	14
F	70	70	70	70	70	70
G	90	90	90	90	90	90
L	43	46	46	52	56	56
n-Øp	4-10	4-10	4-10	4-10	4-10	4-10
H	19	19	19	19	19	19
H1	31	31	31	36	36	36
L1	176	176	176	225	225	225
Torque	22	26	36	73	90	106
Kgs	3.5	4.3	5	7	10	12.5

N.	Part Name	Materials
1	Body	Ductile Iron GGG40
2	Disc	Stainless Steel 316
3	Seat	EPDM
4	Shaft	Stainless Steel 431
5	Bushing	Brass H65
6	Cotter Pin	Spring Steel 65Mn
7	Circlip	Spring Steel 65Mn
8	O-Ring	NBR
9	Ring	Nylon 6 PA6
10	Handle	AL102
11	Bolt	Stainless Steel 304

We strongly advise gearbox on all 8", 10" and 12" valves.

Technical Data

Max Pressure	25 Bar
Working Temperature	-10°C to +110°C

Dimensions in mm

This data sheet is designed as a guide and should not be regarded as wholly accurate in every detail. We reserve the right to amend the specification of any product without notice.