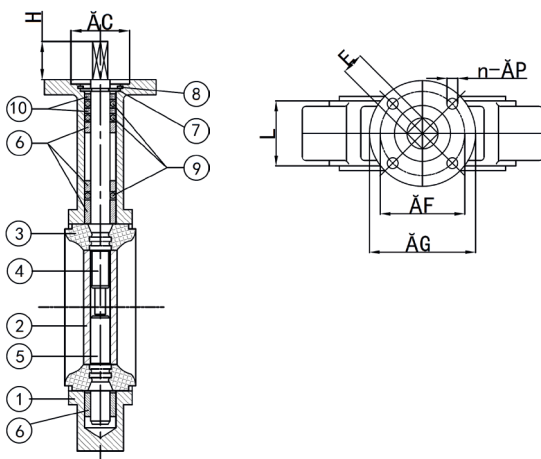
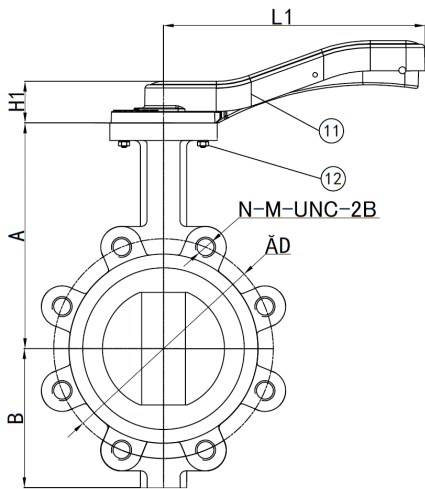


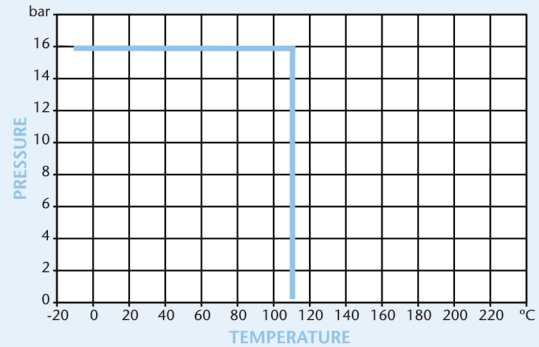
ANSI 150 Ductile Iron Butterfly Valve Lugged & Tapped Type

Features

- Flange Mounting ANSI Class 150
- BS5155 (BS EN 593)
- ISO 5211 Direct Mount
- Lockable Handle
- Epoxy Coat Finish
- WRAS Approved
- MSS-SP-67



Pressure/Temperature



	50	65	80	100	125	150	200	250	300
A	142	154.5	161	180	193	205	250	282	326
B	60	70	85	104	120	135	171	205	248
C	56	56	56	56	56	56	71	71	71
D	120.65	139.7	152.4	190.5	215.9	241.3	298.45	361.95	431.8
E	11	11	11	11	14	14	17	22	22
F	70	70	70	70	70	70	102	102	102
G	90	90	90	90	90	90	125	125	125
H	19	19	19	19	19	19	25	30	30
H1	31	31	31	36	36	36	42	42	42
L	41.4	44	44.6	51.4	53.8	55.1	59.5	65	75.9
L1	176	176	176	225	225	225	300	359	359
N-M-UNC-2B	4-5/ 8-11 UNC -2B	4-5/ 8-11 UNC -2B	4-5/ 8-11 UNC -2B	8-5/ 8-11 UNC -2B	8-3/ 4-10 UNC -2B	8-3/ 4-10 UNC -2B	8-3/ 4-10 UNC -2B	12-7/ 8-9 UNC -2B	12-7/ 8-9 UNC -2B
n-Äp	4x10	4x10	4x10	4x10	4x10	4x10	4x12	4x12	4x12
Kgs	2.35	2.75	3.05	4.7	5.5	6.75	11.6	20.4	29.1

N.	Part Name	Materials
1	Body	Ductile Iron GGG40
2	Disc	Stainless Steel 316
3	Seat	WRAS EPDM
4	Upper Shaft	Stainless Steel 420
5	Lower Shaft	Stainless Steel 420
6	Bushing	PTFE
7	Split Pin	Spring Steel 65Mn
8	Circlip	Spring Steel 65Mn
9	O-Ring	WRAS EPDM
10	Ring	Nylon 6 PA6
11	Lever	DN50-150 Aluminium DN200-300 DI
12	Bolt	Stainless Steel 304

We strongly advise gearbox on all 8", 10" and 12" valves.

Technical Data

Maximum Pressure	16 Bar
Working Temperature	-10°C to +110°C

Dimensions in mm

This data sheet is designed as a guide and should not be regarded as wholly accurate in every detail. We reserve the right to amend the specification of any product without notice.