

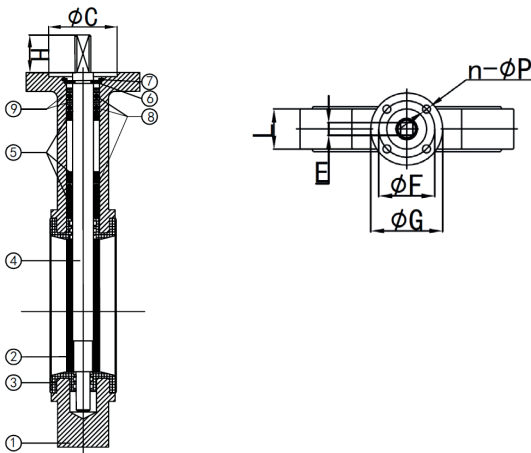
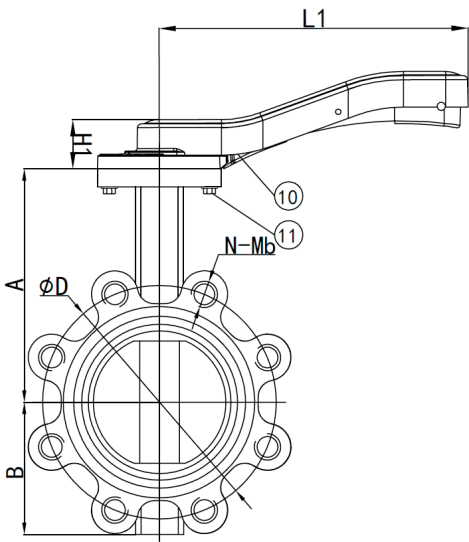
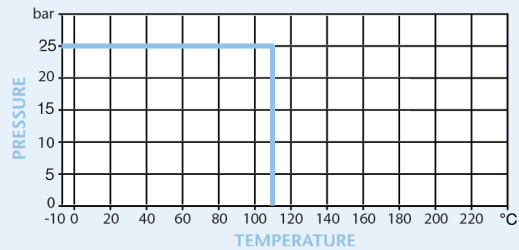


## PN25 Ductile Iron Butterfly Valve Lugged & Tapped Type

### Features

- Flange Mounting PN25 Only
- BS5155 (BS EN 593)
- ISO 5211 Direct Mount
- Lockable Handle
- Epoxy Coat Finish
- Vulcanised Liner

### Pressure/Temperature



We strongly advise gearbox on all 8", 10" and 12" valves.

### Technical Data

Max Pressure	25 Bar
Working Temperature	-10°C to +110°C

Dimensions in mm

This data sheet is designed as a guide and should not be regarded as wholly accurate in every detail. We reserve the right to amend the specification of any product without notice.

DN	50	65	80	100	125	150
A	141	153	161	178	193	204
B	61	72	87	106	123	138
C	56	56	56	56	56	56
D	125	145	160	190	220	250
N-Mb	4-M16	8-M16	8-M16	8-M20	8-M24	8-M24
E	11	11	11	11	14	14
F	70	70	70	70	70	70
G	90	90	90	90	90	90
L	43	46	46	52	56	56
n-Øp	4-10	4-10	4-10	4-10	4-10	4-10
H	19	19	19	19	19	19
H1	31	31	31	36	36	36
L1	176	176	176	225	225	225
Torque	22	26	36	73	90	106
Kgs	4.5	6.5	7	10	16.5	17

N.	Part Name	Materials
1	Body	Ductile Iron GGG40
2	Disc	Stainless Steel 316
3	Seat	EPDM
4	Shaft	Stainless Steel 431
5	Bushing	Brass H65
6	Cotter Pin	Spring Steel 65Mn
7	Circlip	Spring Steel 65Mn
8	O-Ring	NBR
9	Ring	Nylon 6 PA6
10	Handle	AL102
11	Bolt	Stainless Steel 304