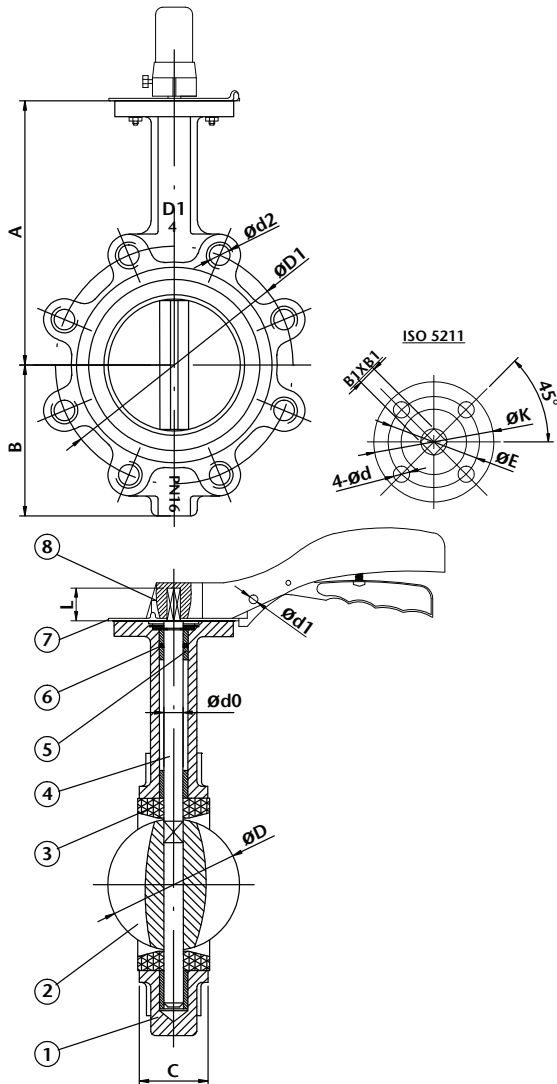


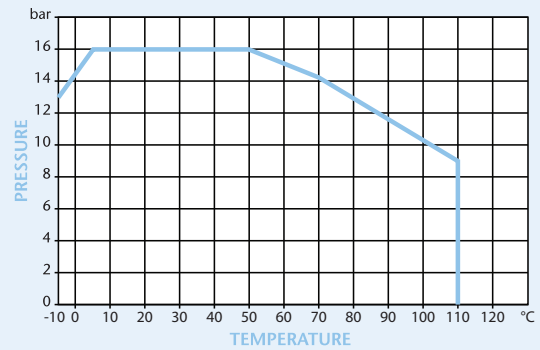
Ductile Iron Butterfly Valve Lugged & Tapped Type

Features

- Flange Mounting PN16 Only
- BS5155 (BS EN593)
- Lockable Handle
- Epoxy Coat Finish
- ISO 5211 Direct Mount



Pressure/Temperature



DN	2"	2 1/2"	3"	4"	5"	6"	8"	10"	12"
A	140	150	158	176	190	211	235	265	305
B	80	89	95	114	127	139	175	203	242
C	42	44.7	45.2	52	54.4	55.8	60.6	65.6	76.9
D	52.9	64.5	78.8	104	123.3	155.1	202.5	250.5	301.5
D1	125	145	160	180	210	240	295	355	410
L	26	26	26	30	30	30	36	36	36
d0	12.6	12.6	12.6	15.77	18.92	18.92	22.1	28.45	31.6
d1	6	6	6	6	6	6	6	6	6
d2	4x16	4x16	8x16	8x16	8x16	8x20	12x20	12x24	12x24
ISO 5211	F05	F05	F05	F07	F07	F07	F10	F10	F10
K	65	65	65	90	90	90	125	125	125
d	4x7	4x7	4x7	4x10	4x10	4x10	4x12	4x12	4x12
B1	9	9	9	11	14	14	17	22	22
Torque	15.1	17.2	23.1	39.8	61.9	102	192	323	490
Kgs	3.05	3.70	4.75	6.75	8.50	10.55	17.85	31.00	42.40

N.	Part Name	Materials
1	Body	Ductile Iron GGG40
2	Disc	Stainless Steel 316
3	Seat	EPDM
4	Stem	Stainless Steel 410
5	Bush	PTFE
6	O-Ring	EPDM
7	Indicator	Carbon Steel
8	Lever	Aluminium

We strongly advise gearbox on all 8", 10" and 12" valves.

Technical Data

Pressure 16 Bar

Working Temperature -10°C to +110°C

Dimensions in mm

This data sheet is designed as a guide and should not be regarded as wholly accurate in every detail. We reserve the right to amend the specification of any product without notice.