



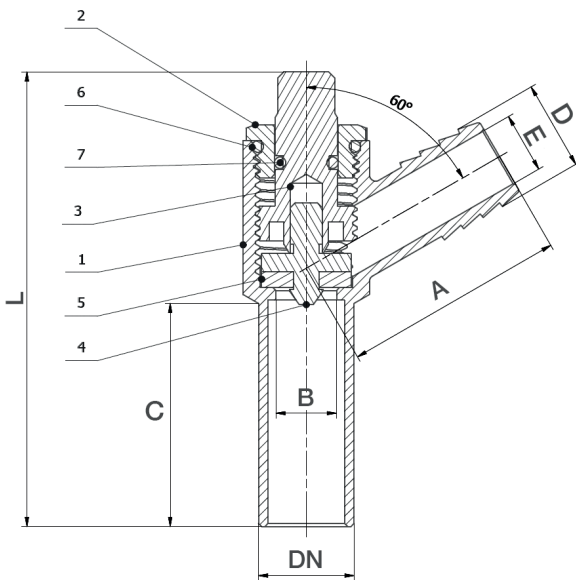
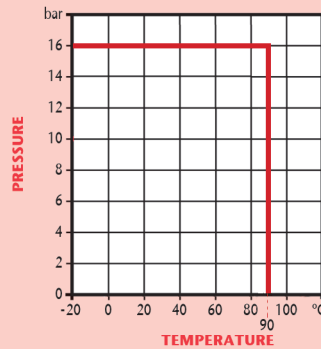
## Brass Drain Cock

### Features

- Extended male spigot
- BS 2879/2 Type A
- Hose connection outlet
- WRAS Approved



### Pressure / Temperature



DN	15
A	35
B	Ø9.5
C	35
D	Ø14
E	Ø9.5
L	71.3-75.8
Kgs	0.09

N.	Part Name	Materials
1	Body	Brass
2	Bonnet	Brass
3	Stem	Brass
4	Baffle	Brass
5	Washer	EPDM
6	O-Ring	EPDM
7	O-Ring	EPDM

### Technical Data

Max Pressure	16 Bar
Max Temperature	-20°C to +90°C

Dimensions in mm

This data sheet is designed as a guide and should not be regarded as wholly accurate in every detail. We reserve the right to amend the specification of any product without notice.