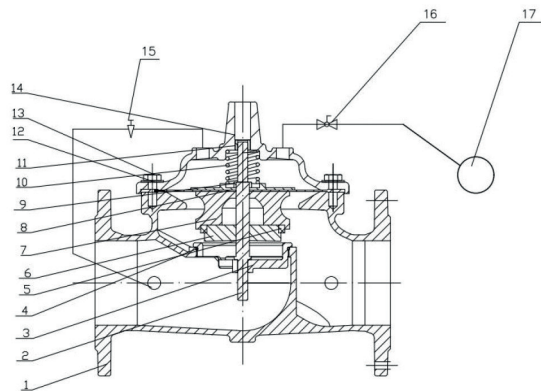
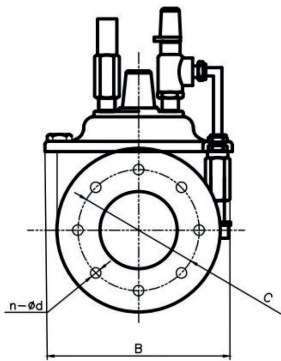
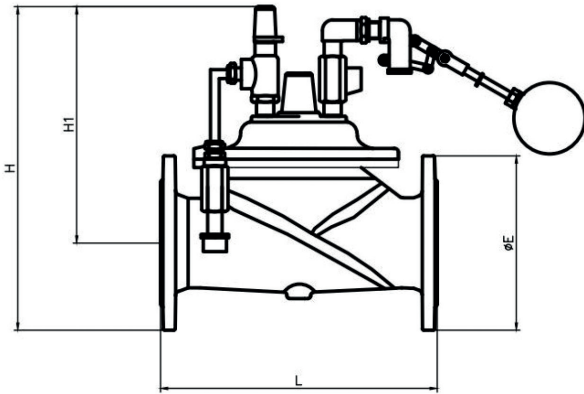


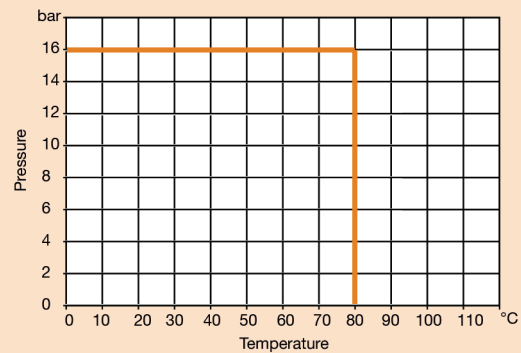
## PN16 Float Control Valve

### Features

- Automatic Control Valve
- Suitable for Potable Water Applications
- WRAS Approved Epoxy Coated Body
- Conforms to BS EN 558-1 Series 1
- Flange Conforms to BS EN 1092 PN16
- Available flanged PN25
- Stainless Steel Pilot Tubing and Valves



### Pressure/Temperature



DN	50	65	80	100	125	150	200	250	300
L	230	290	310	350	400	480	600	730	850
E	165	185	200	220	250	285	340	405	460
C	125	145	160	180	210	240	295	355	410
n-d	4- Ø19	4- Ø19	8- Ø19	8- Ø19	8- Ø19	8- Ø23	12- Ø23	12- Ø28	12- Ø28
B	164	194	218	252	286	348	476	574	662
H	335	355	370	390	420	455	510	575	630
H1	242	252	270	280	295	313	340	372	400
Kgs	13	17	23	30	65	69	132	315	420

N.	Part Name	Materials
1	Body	Ductile Iron
2	Stem	Stainless Steel 304
3	Seat	Stainless Steel 304
4	O-Ring	NBR
5	Disc Ring	NBR
6	Disc Retailer	Ductile Iron
7	Disc Guide	Ductile Iron
8	Diaphragm	NBR + Nylon
9	Diaphragm Washer	Ductile Iron
10	Spring	Stainless Steel 304
11	Cover Bearing	Stainless Steel 304
12	Screw	Stainless Steel 304
13	Washer	Stainless Steel 304
14	Cover	Ductile Iron
15	Needle Valve	Stainless Steel 304
16	Ball Valve	Stainless Steel 304
17	Float Control Valve	Stainless Steel 304

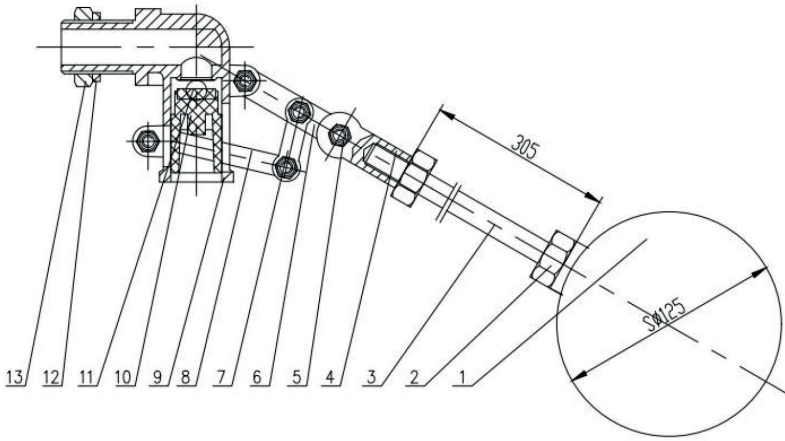
### Technical Data

Max Pressure	16 Bar
Minimum Differential Pressure	5PSI (0.035MPa)
Working Temperature	0°C to +80°C

Dimensions in mm

This data sheet is designed as a guide and should not be regarded as wholly accurate in every detail. We reserve the right to amend the specification of any product without notice.

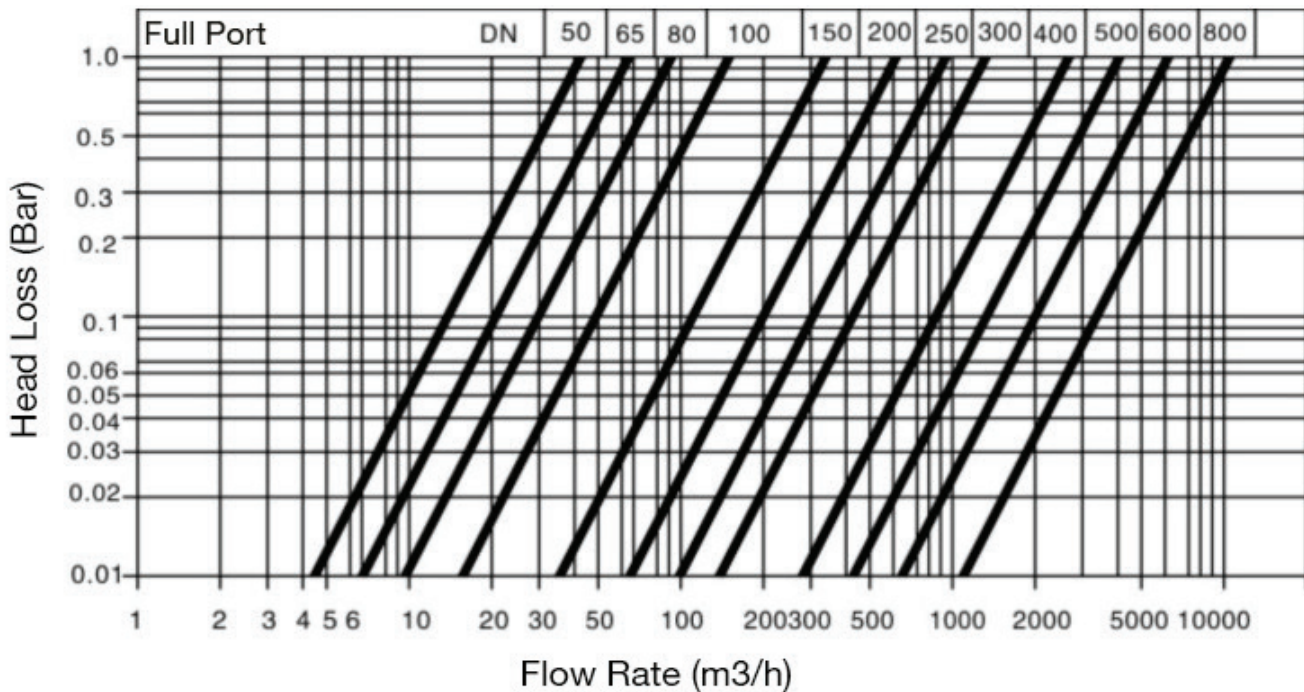
Pilot Valve Detail



Pilot Valve

N.	Part Name	Materials
1	Float Ball	Stainless Steel 304
2	Nut	Stainless Steel 304
3	Rod	Stainless Steel 304
4	Level Holder	Stainless Steel 304
5	Screw / Nut	Stainless Steel 304
6	Arm	Stainless Steel 304
7	Level	Stainless Steel 304
8	Seat Holder	Stainless Steel 304
9	Body	Stainless Steel 304
10	Yoke	Stainless Steel 304
11	Seat	NBR
12	Washer	NBR
13	Nut	Stainless Steel 304

Flow curve of the main valve at fully open status



Dimensions in mm

This data sheet is designed as a guide and should not be regarded as wholly accurate in every detail. We reserve the right to amend the specification of any product without notice.