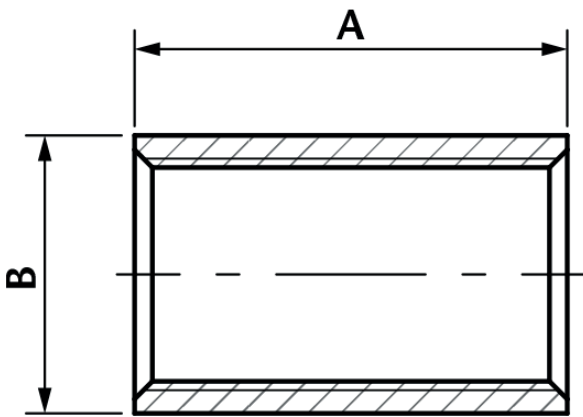


## Full Socket OD Machined



DN	A	B	Kgs
1/8"	17	13.5	0.009
1/4"	24	16.7	0.021
3/8"	25	20.4	0.029
1/2"	32	24.9	0.045
3/4"	35	30	0.057
1"	41	37.8	0.101
1 1/4"	46.8	47	0.175
1 1/2"	46.8	53	0.193
2"	54.5	65.7	0.331
2 1/2"	63	82	0.505
3"	69	95.8	0.722
4"	81	121.5	1.061

- Made from CF8M (316) Stainless Steel material and conform to **ISO 4144** standard.

- Threads are to ISO 7-1 (DIN2999) BSPP Female, BSPT Male.

- Material certificates available on request.

- Pressure temperature ratings. See table below.

Temperature (°C)	Non-shock maximum working pressure (bar)
-20 to 40	20
100	16.5
150	15
200	14
220	13.5

NOTE 1 Pressure for intermediate temperatures may be determined by the interpolation method.

NOTE 2 Temperatures indicated are those of internal fluid.

NOTE 3 Piping loads, stresses and moments are not taken into account.

- Tested & inspected prior to despatch.

- 12 month warranty from date of installation.

- Manufactured in accordance with ISO9001:2015 quality system.