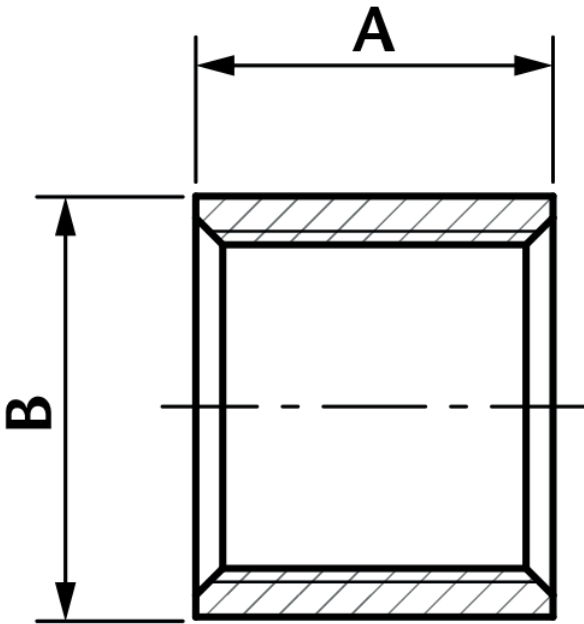


## Half Socket OD Machined



DN	A	B	Kgs
1/8"	9	13.5	0.005
1/4"	13	16.7	0.011
3/8"	13	20.4	0.014
1/2"	16	24.9	0.022
3/4"	18	30	0.036
1"	21	37.8	0.052
1 1/4"	23.5	47	0.086
1 1/2"	23.5	53	0.098
2"	27.5	65.7	0.152
2 1/2"	31.5	82	0.250
3"	34.5	95.8	0.367
4"	40.5	121.5	0.533

- Made from CF8M (316) Stainless Steel material and conform to **ISO 4144** standard.
- Threads are to ISO 7-1 (DIN2999) BSPP Female, BSPT Male.
- Material certificates available on request.
- Pressure temperature ratings. See table below.

Temperature (°C)	Non-shock maximum working pressure (bar)
-20 to 40	20
100	16.5
150	15
200	14
220	13.5

NOTE 1 Pressure for intermediate temperatures may be determined by the interpolation method.

NOTE 2 Temperatures indicated are those of internal fluid.

NOTE 3 Piping loads, stresses and moments are not taken into account.

- Tested & inspected prior to despatch.
- 12 month warranty from date of installation.
- Manufactured in accordance with ISO9001:2015 quality system.