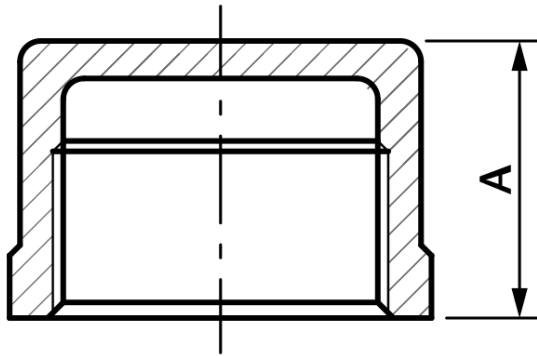


Round Cap



DN	A	Kgs
1/8"	15	0.010
1/4"	16.4	0.013
3/8"	16.5	0.017
1/2"	21.4	0.031
3/4"	22	0.048
1"	26	0.085
1 1/4"	28	0.127
1 1/2"	32	0.201
2"	33.5	0.297
2 1/2"	39	0.451
3"	42	0.670
4"	48.5	1.189

- Made from CF8M (316) Stainless Steel material and conform to **ISO 4144** standard.
- Threads are to ISO 7-1 (DIN2999) BSPP Female, BSPT Male.
- Material certificates available on request.
- Pressure temperature ratings. See table below.

Temperature (°C)	Non-shock maximum working pressure (bar)
-20 to 40	20
100	16.5
150	15
200	14
220	13.5

NOTE 1 Pressure for intermediate temperatures may be determined by the interpolation method.

NOTE 2 Temperatures indicated are those of internal fluid.

NOTE 3 Piping loads, stresses and moments are not taken into account.

- Tested & inspected prior to despatch.
- 12 month warranty from date of installation.
- Manufactured in accordance with ISO9001:2015 quality system.