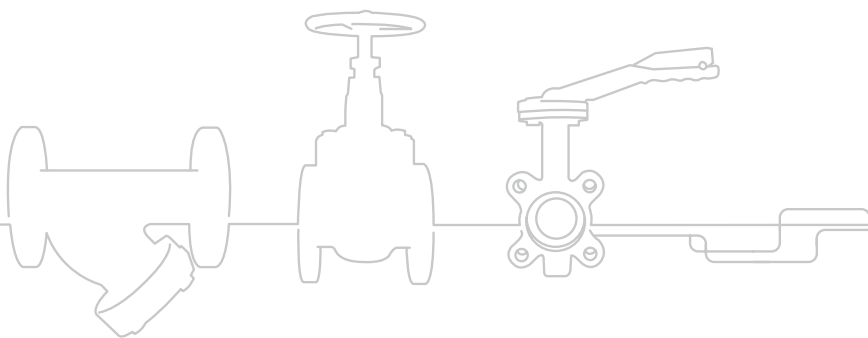


Stainless Steel Fittings



Product Information



150lb BSP Threaded Fittings General Information

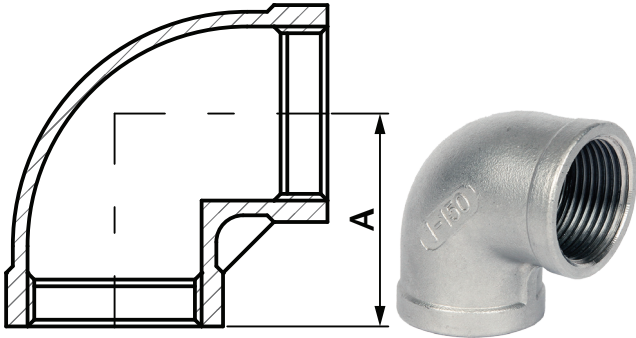
- All fittings are made from CF8M (316) Stainless Steel material and conform to **ISO 4144** standard.
- All threads are to ISO 7-1 (DIN2999) BSPP Female, BSPT Male.
- Material certificates available on request.
- Pressure temperature ratings. See table below.

Temperature (°C)	Non-shock maximum working pressure (bar)
-20 to 40	20
100	16.5
150	15
200	14
220	13.5

NOTE 1 Pressure for intermediate temperatures may be determined by the interpolation method.
 NOTE 2 Temperatures indicated are those of internal fluid.
 NOTE 3 Piping loads, stresses and moments are not taken into account.

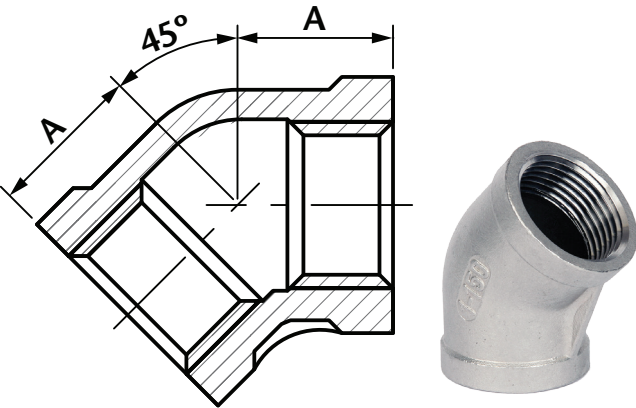
- All fittings are manufactured by investment cast process, nipples produced from welded tube.
- All items are tested & inspected prior to despatch.
- All items have a 12 month warranty from date of installation.
- All fittings manufactured in accordance with ISO9001:2015 quality system.
- CE approved
- For stocked items please consult price list

90E 90° Elbow



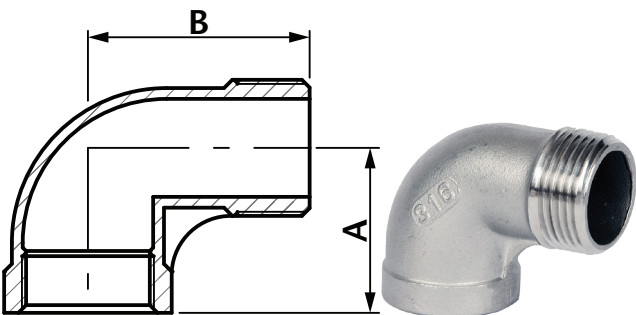
DN	A	Kgs
1/8"	17	0.020
1/4"	19	0.026
3/8"	23	0.044
1/2"	27	0.070
3/4"	32.3	0.108
1"	38.3	0.185
1 1/4"	45	0.285
1 1/2"	48	0.397
2"	57	0.522
2 1/2"	69.1	0.979
3"	78.2	1.366
4"	96	2.431

45E 45° Elbow



DN	A	Kgs
1/8"	17	0.020
1/4"	17	0.025
3/8"	20	0.038
1/2"	22	0.068
3/4"	25	0.096
1"	30	0.164
1 1/4"	33.5	0.236
1 1/2"	37.5	0.312
2"	43.5	0.468
2 1/2"	49.5	0.775
3"	54	1.140
4"	64	1.867

90MF 90° M/F Elbow

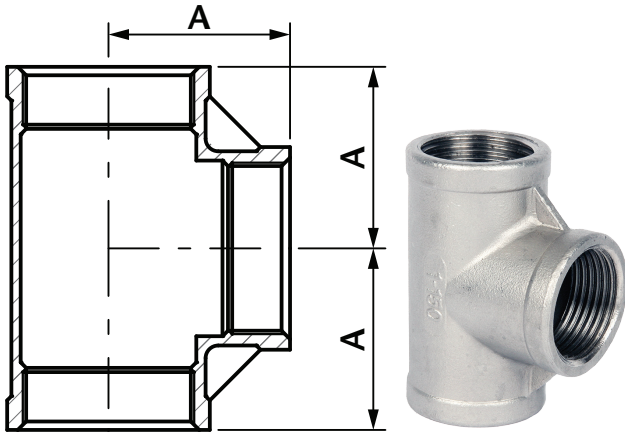


DN	A	B	Kgs
1/8"	17	24.2	0.020
1/4"	19	27.5	0.032
3/8"	22	32	0.044
1/2"	27.5	37.8	0.076
3/4"	32.5	42.3	0.113
1"	38.5	51.1	0.194
1 1/4"	45	54	0.277
1 1/2"	48	63.7	0.360
2"	57	70	0.605
2 1/2"	69.5	83	0.919
3"	78	94	1.583
4"	97	115	2.696

Dimensions in mm

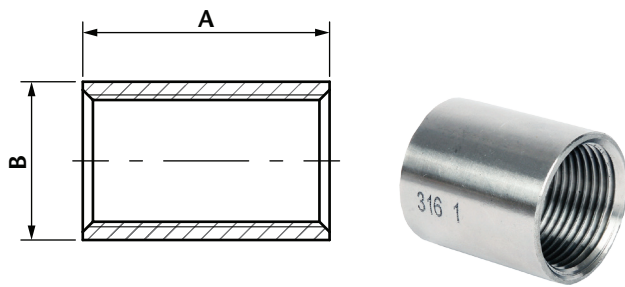
This data sheet is designed as a guide and should not be regarded as wholly accurate in every detail. We reserve the right to amend the specification of any product without notice.

ET Equal Tee



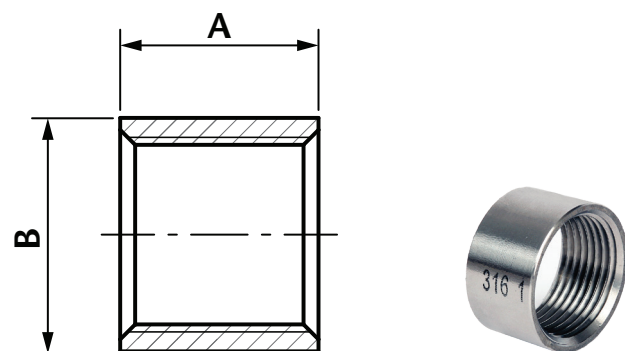
DN	A	Kgs
1/8"	17	0.028
1/4"	19	0.037
3/8"	23	0.063
1/2"	27	0.107
3/4"	32	0.158
1"	38	0.256
1 1/4"	45	0.371
1 1/2"	48	0.514
2"	57	0.692
2 1/2"	69	1.237
3"	78	1.756
4"	96	3.145

FS Full Socket OD Machined



DN	A	B	Kgs
1/8"	17	13.5	0.009
1/4"	24	16.7	0.021
3/8"	25	20.4	0.029
1/2"	32	24.9	0.045
3/4"	35	30	0.057
1"	41	37.8	0.101
1 1/4"	46.8	47	0.175
1 1/2"	46.8	53	0.193
2"	54.5	65.7	0.331
2 1/2"	63	82	0.505
3"	69	95.8	0.722
4"	81	121.5	1.061

HS Half Socket OD Machined

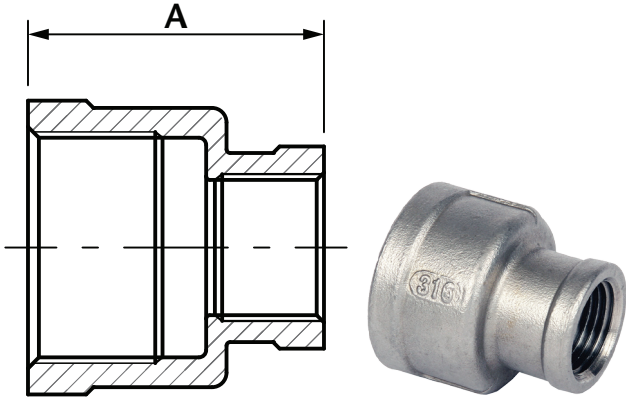


DN	A	B	Kgs
1/8"	9	13.5	0.005
1/4"	13	16.7	0.011
3/8"	13	20.4	0.014
1/2"	16	24.9	0.022
3/4"	18	30	0.036
1"	21	37.8	0.052
1 1/4"	23.5	47	0.086
1 1/2"	23.5	53	0.098
2"	27.5	65.7	0.152
2 1/2"	31.5	82	0.250
3"	34.5	95.8	0.367
4"	40.5	121.5	0.533

Dimensions in mm

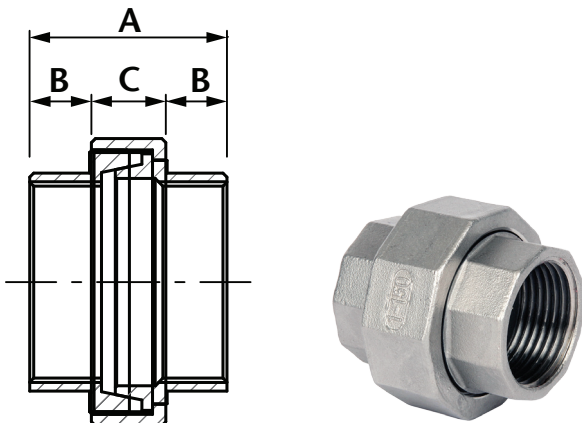
This data sheet is designed as a guide and should not be regarded as wholly accurate in every detail. We reserve the right to amend the specification of any product without notice.

RS Reducing Socket



DN	A	Kgs
1/4" x 1/8"	26	0.029
3/8" x 1/4"	30	0.042
1/2" x 1/4"	34	0.055
1/2" x 3/8"	34	0.052
3/4" x 1/2"	37	0.085
1" x 1/2"	42	0.115
1" x 3/4"	42	0.136
1 1/4" x 1/2"	48	0.168
1 1/4" x 3/4"	48.5	0.175
1 1/4" x 1"	48.5	0.194
1 1/2" x 3/4"	52	0.221
1 1/2" x 1"	52	0.225
1 1/2" x 1 1/4"	52.5	0.245
2" x 1"	57	0.242
2" x 1 1/4"	58	0.363
2" x 1 1/2"	58	0.372
2 1/2" x 2"	65	0.567
3" x 2"	72.5	0.823
3" x 2 1/2"	72	0.822
4" x 2"	78.4	1.553
4" x 3"	94	1.460

CSU Conical Seat Union



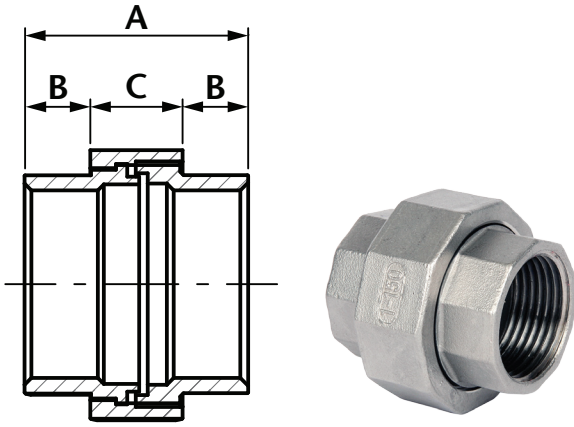
DN	A	B	C	Kgs
1/8"	31	9	13	0.056
1/4"	34	10.25	13.5	0.064
3/8"	37	11	15	0.092
1/2"	40	11.85	16.3	0.138
3/4"	43	12.85	17.3	0.206
1"	50.5	15.1	20.3	0.267
1 1/4"	54.5	16.1	22.3	0.471
1 1/2"	58	16.9	24.2	0.516
2"	65.5	19.15	27.2	0.845
2 1/2"	75	22.75	29.5	1.395
3"	83.5	26.25	31	1.670
4"	111	38.5	34	2.520

Dimensions in mm

This data sheet is designed as a guide and should not be regarded as wholly accurate in every detail. We reserve the right to amend the specification of any product without notice.

FFU

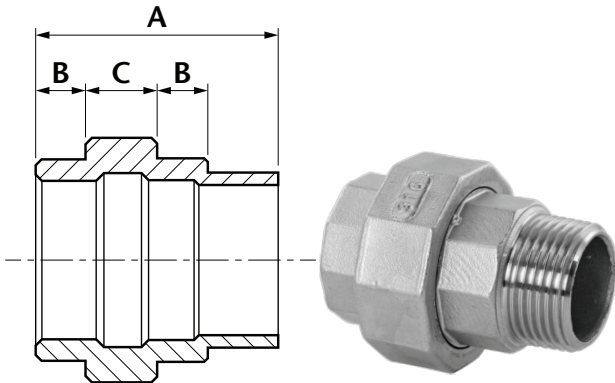
Flat Faced Union with PTFE Gasket



DN	A	B	C	Kgs
1/8"	30.5	8.75	13	0.055
1/4"	34.5	10.35	13.8	0.083
3/8"	37	11	15	0.105
1/2"	40.6	12.05	16.5	0.116
3/4"	43.5	12.75	18	0.198
1"	51.5	15.55	20.4	0.265
1 1/4"	54.5	16	22.5	0.406
1 1/2"	58	17	24	0.483
2"	66	19.5	27	0.814
2 1/2"	75.3	22.9	29.5	1.435
3"	83.3	26.15	31	1.847
4"	110.3	38.15	34	3.124

CSUMF

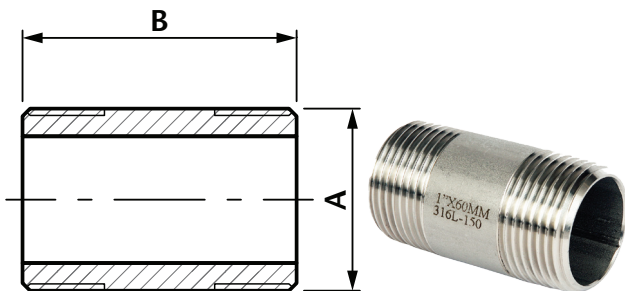
Conical Seat Union Male/Female



DN	A	B	C	Kgs
1/4"	44.8	10.3	13.5	0.072
3/8"	48.3	11	15	0.123
1/2"	54.8	11.9	16.3	0.159
3/4"	58.8	12.9	17.3	0.234
1"	68.8	15.1	20.3	0.313
1 1/4"	75.5	16.1	22.3	0.541
1 1/2"	79	16.9	24.2	0.615
2"	91	19.2	27.2	1.009

BN

Barrel Nipple



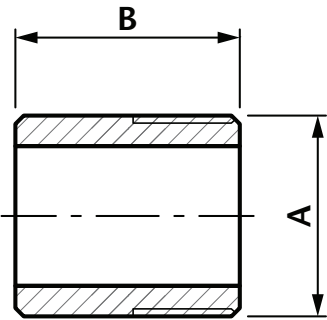
DN	A	B	Kgs
1/8"	10.2	30	0.009
1/4"	13.5	30	0.012
3/8"	17.2	40	0.024
1/2"	21.3	60	0.063
3/4"	26.9	60	0.083
1"	33.7	60	0.120
1 1/4"	42.4	80	0.211
1 1/2"	48.3	80	0.256
2"	60.3	100	0.440
2 1/2"	76.1	100	0.690
3"	88.9	120	1.160
4"	114.3	120	1.477

Dimensions in mm

This data sheet is designed as a guide and should not be regarded as wholly accurate in every detail. We reserve the right to amend the specification of any product without notice.

WN

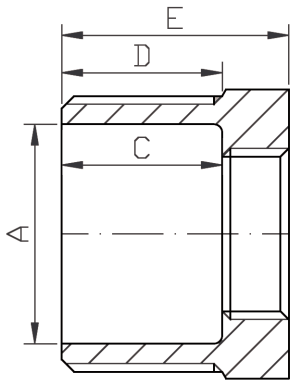
Weld Nipple



DN	A	B	Kgs
1/8"	10.2	30	0.010
1/4"	13.5	30	0.016
3/8"	17.2	30	0.020
1/2"	21.3	35	0.037
3/4"	26.9	40	0.057
1"	33.7	40	0.085
1 1/4"	42.4	50	0.118
1 1/2"	48.3	50	0.164
2"	60.3	50	0.0216
2 1/2"	76.1	60	0.422
3"	88.9	70	0.640
4"	114.3	80	1.033

RB

Hexagon Reducing Bush



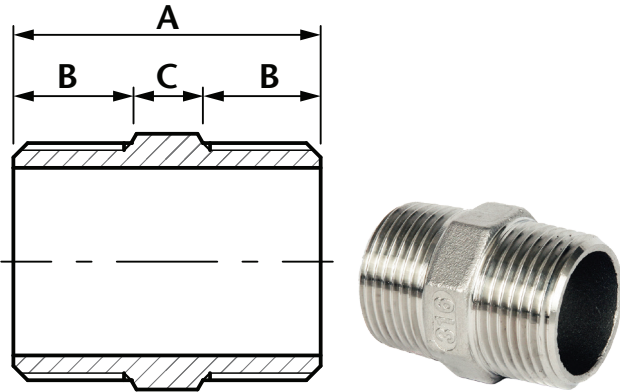
DN	A	B	C	D	E	Kgs
1/4" x 1/8"	8.4	15	12	12.5	19	0.013
3/8" x 1/8"	11	19	13	14	20.3	0.023
3/8" x 1/4"	11	19	10	14	20.3	0.021
1/2" x 1/8"	15	22.5	17	17	23.7	0.037
1/2" x 1/4"	15	22.5	15	17	23.7	0.035
1/2" x 3/8"	15	22.5	14	17	23.7	0.031
3/4" x 1/4"	20.5	29	16.4	18	26	0.066
3/4" x 3/8"	20.5	29	16.3	18	26	0.059
3/4" x 1/2"	20.5	29	15.8	18	26	0.048
1" x 1/4"	26	25.5	18.5	19	27	0.101
1" x 3/8"	26	35.5	18	19	27	0.095
1" x 1/2"	26	35.5	17.4	19	27	0.081
1" x 3/4"	26	35.5	13.6	19	27	0.067
1 1/4" x 1/2"	34.5	43.6	20.2	20.5	30	0.143
1 1/4" x 3/4"	34.5	43.6	18.2	20.5	30	0.141
1 1/4" x 1"	34.5	43.6	16	20.5	30	0.121
1 1/2" x 1/2"	40	51	22	22	31	0.206
1 1/2" x 3/4"	40	51	20	22	31	0.197
1 1/2" x 1"	40	51	17	22	31	0.185
1 1/2" x 1 1/4"	40	51	15.5	22	31	0.129
2" x 1/2"	51	62.4	26	26	35	0.318
2" x 3/4"	51	62.4	23	26	35	0.325
2" x 1"	51	62.4	21	26	35	0.328
2" x 1 1/4"	51	62.4	20	26	35	0.274
2" x 1 1/2"	51	62.4	17.8	26	35	0.228
2 1/2" x 1 1/2"	64.5	77.8	24	30	40	0.572
2 1/2" x 2"	65	77.8	22.5	30	39.5	0.443
3" x 1"	77.2	91.2	30	33	44	0.875
3" x 1 1/4"	77.4	91.2	37.5	33	44	0.731
3" x 1 1/2"	77.2	91.2	26.6	33	44	0.871
3" x 2"	77.2	91.2	27.3	33	44	0.795
3" x 2 1/2"	77.2	91.2	20	33	44	0.589
4" x 2"	101.3	116.6	27	36	48	1.488
4" x 3"	101.3	116.6	23.3	36	48	1.203

Dimensions in mm

This data sheet is designed as a guide and should not be regarded as wholly accurate in every detail. We reserve the right to amend the specification of any product without notice.

HN

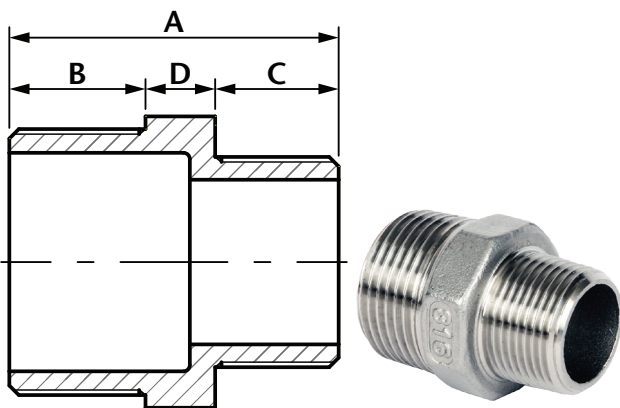
Hexagon Nipple



DN	A	B	C	Kgs
1/8"	30.3	12	6.3	0.016
1/4"	32	13.4	5.2	0.021
3/8"	36.7	14.8	7.1	0.035
1/2"	41.7	16.4	8.8	0.050
3/4"	45	18.5	8	0.070
1"	48.1	18.6	10.9	0.119
1 1/4"	53.4	20.6	12.2	0.180
1 1/2"	55.5	21.5	12.5	0.217
2"	64.2	25.6	13	0.328
2 1/2"	76	30.8	14.4	0.661
3"	79.7	33.3	13.1	0.855
4"	85.7	36	13.7	1.327

RHN

Reducing Hexagon Nipple



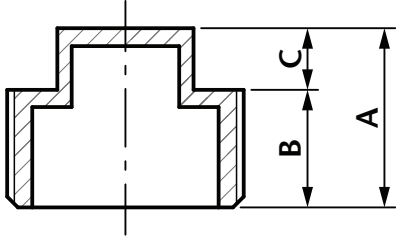
DN	A	B	C	D	Kgs
1/4" x 1/8"	30	13.3	11	5.7	0.017
3/8" x 1/4"	35	14.7	13	7.3	0.035
1/2" x 1/4"	38	17	13.9	7.1	0.045
1/2" x 3/8"	39.8	17	14.5	8.3	0.047
3/4" x 1/2"	43.5	18	16.8	8.7	0.074
1" x 1/2"	47	18.9	17	11.1	0.106
1" x 3/4"	48	18.7	18	11.3	0.105
1 1/4" x 1/2"	50	21.2	17.2	11.6	0.159
1 1/4" x 3/4"	51	21.2	18	11.8	0.153
1 1/4" x 1"	52	21.5	19.5	11	0.174
1 1/2" x 3/4"	52.5	22.2	18	12.3	0.220
1 1/2" x 1"	53.2	22.2	19	12	0.222
1 1/2" x 1 1/4"	55	22	21	12	0.224
2" x 1"	57.7	26	19.3	12.4	0.323
2" x 1 1/4"	60.4	25.7	21.4	13.3	0.334
2" x 1 1/2"	60.4	26	22.3	12.1	0.336
2 1/2" x 2"	70.7	31	26	13.7	0.606
3" x 2"	72	33	26	13	0.870
3" x 2 1/2"	77.6	33	31	13.6	0.841
4" x 2"	75.7	36	26	13.7	1.005
4" x 3"	82.7	36	32	14.7	1.180

Dimensions in mm

This data sheet is designed as a guide and should not be regarded as wholly accurate in every detail. We reserve the right to amend the specification of any product without notice.

SHP

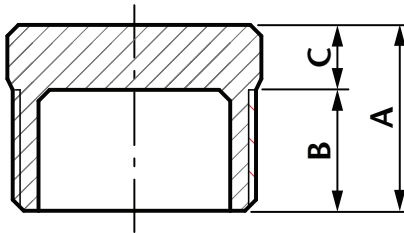
Square Head Plug



DN	A	B	C	Kgs
1/8"	11	6.7	4.3	0.005
1/4"	16	9.6	6.4	0.009
3/8"	16	9.8	6.2	0.012
1/2"	22.6	13.6	9	0.030
3/4"	25	15	10	0.039
1"	26	15	11	0.056
1 1/4"	29	18	11	0.089
1 1/2"	30	18	12	0.112
2"	35	22	13	0.170
2 1/2"	40	25	15	0.347
3"	42	27	15	0.424
4"	52	33	19	0.899

HHP

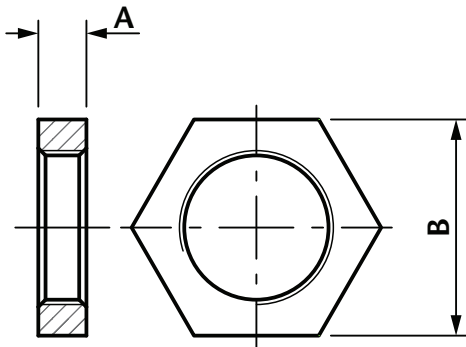
Hexagon Head Plug



DN	A	B	C	Kgs
1/8"	16.7	10.4	6.3	0.009
1/4"	19.8	13.5	6.3	0.015
3/8"	19.8	13.5	6.3	0.022
1/2"	23	16	7	0.038
3/4"	26	17.5	8.5	0.056
1"	29	21	8	0.083
1 1/4"	30.7	21.7	9	0.125
1 1/2"	31	22	9	0.165
2"	35	26	9	0.259
2 1/2"	39.6	29.6	10	0.471
3"	44	33	11	0.597
4"	48.6	36.6	12	1.069

HB

Hexagon Backnut

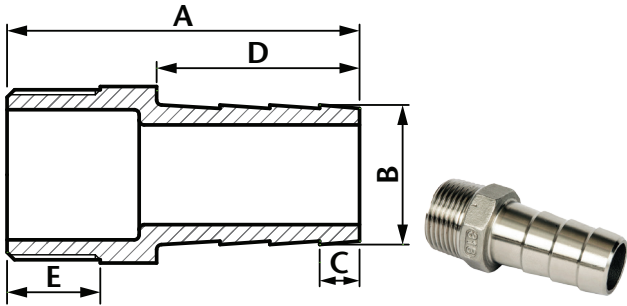


DN	A	B	Kgs
1/8"	6	18	0.010
1/4"	6.14	20.96	0.011
3/8"	7.16	26	0.021
1/2"	8	30.99	0.030
3/4"	9.2	35	0.036
1"	10	44.94	0.065
1 1/4"	11.2	54	0.103
1 1/2"	11.88	58.85	0.112
2"	13.2	74	0.203
2 1/2"	15.96	93.5	0.401
3"	19.1	106.2	0.500
4"	23.22	133.9	0.924

Dimensions in mm

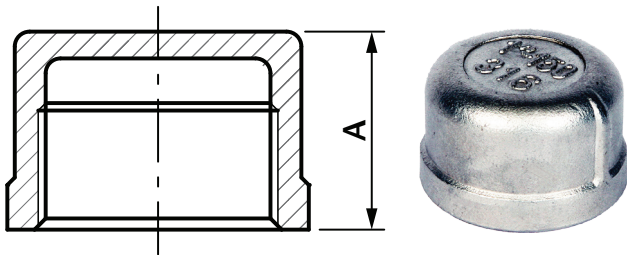
This data sheet is designed as a guide and should not be regarded as wholly accurate in every detail. We reserve the right to amend the specification of any product without notice.

HA Hose Adaptor



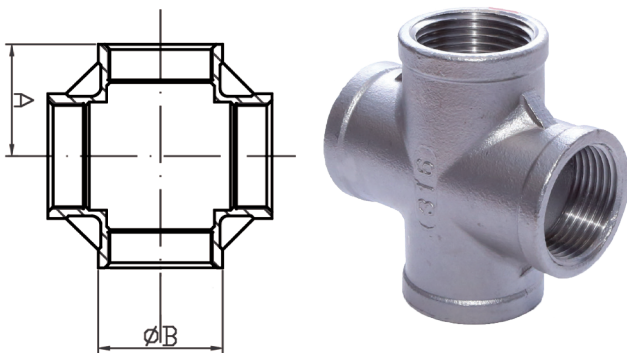
DN	A	B	C	D	E	Kgs
1/4"	42	9	7	23	12.8	0.021
3/8"	47.8	10	7.5	25	15	0.035
1/2"	60.5	15	8	35	17	0.060
3/4"	70	20.5	10	42.5	18	0.104
1"	82	27	12	52	19	0.175
1 1/4"	82.9	34	12	51	20.5	0.231
1 1/2"	90.4	40.5	13	57	21.5	0.311
2"	108	52.3	15.5	69.5	25.5	0.512
2 1/2"	132	65.5	20	87	30	1.202
3"	145	78	23.5	97	33	1.131
4"	154.3	103.5	24	104	36	1.684

RC Round Cap



DN	A	Kgs
1/8"	15	0.010
1/4"	16.4	0.013
3/8"	16.5	0.017
1/2"	21.4	0.031
3/4"	22	0.048
1"	26	0.085
1 1/4"	28	0.127
1 1/2"	32	0.201
2"	33.5	0.297
2 1/2"	39	0.451
3"	42	0.670
4"	48.5	1.189

CT Cross Tee



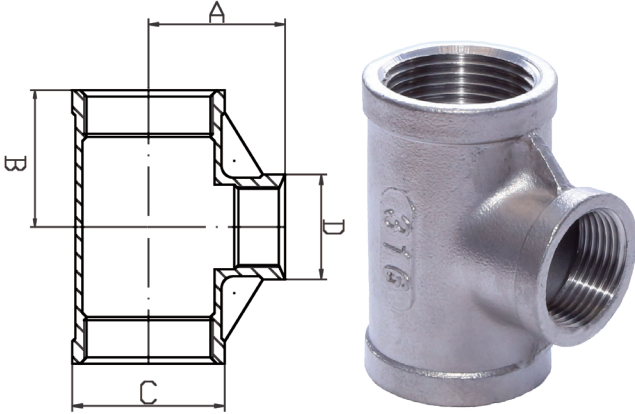
DN	A	B	Kgs
1/4"	19.1	17.3	0.051
3/8"	23	21	0.071
1/2"	27.2	27.4	0.133
3/4"	32	32	0.181
1"	38	40	0.299
1 1/4"	45	49.6	0.489
1 1/2"	48.3	55.6	0.610
2"	57	68.4	0.864
2 1/2"	69	84.5	1.363
3"	78	98.4	2.107
4"	96	123.5	3.159

Dimensions in mm

This data sheet is designed as a guide and should not be regarded as wholly accurate in every detail. We reserve the right to amend the specification of any product without notice.

RT

Reducing Tee



DN	A	B	C	D	Kgs
3/8" x 1/4"	22	20	20.3	17.6	0.047
1/2" x 1/4"	24	24	27	17.6	0.085
1/2" x 3/8"	25	26	27	20.3	0.086
3/4" x 1/2"	30	29	32	27	0.130
1" x 3/4"	36	34	40.3	32	0.224
1 1/4" x 1"	42	40	48.3	40.3	0.340
1 1/2" x 1 1/4"	48	45	55	47.8	0.442
2" x 1 1/2"	55	52	67.3	55	0.645

Dimensions in mm

This data sheet is designed as a guide and should not be regarded as wholly accurate in every detail. We reserve the right to amend the specification of any product without notice.

AVION



URS is a member of Registrar of Standards (Holdings) Ltd.
Certificate No. 1437B



URS is a member of Registrar of Standards (Holdings) Ltd.
Certificate No. 1437A

Distributor