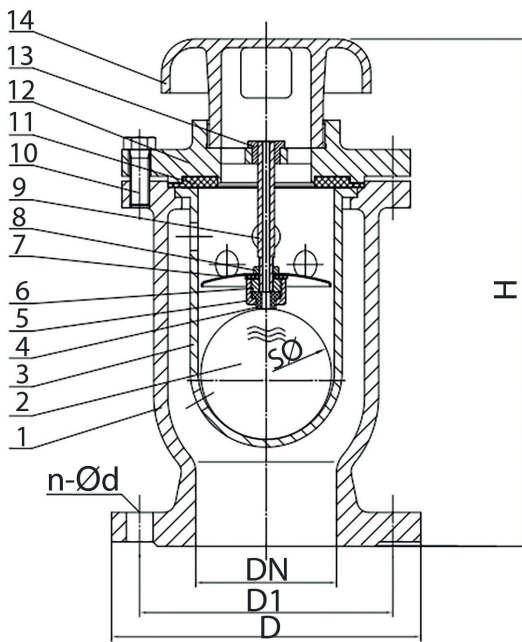


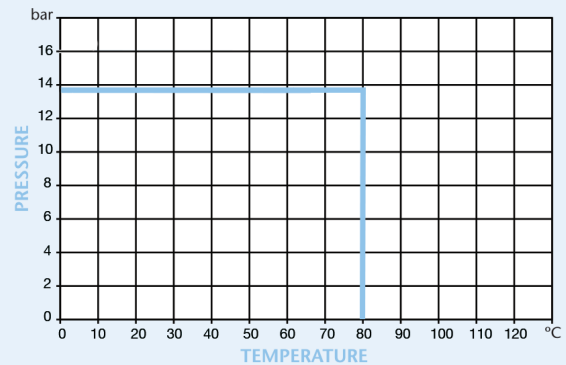
Flanged Air Release Valve

Features

- Flange Mounting ANSI 125 (B16.1)
- Flange conforms to ASME B16.10
- WRAS approved coating
- Internally and externally fusion bonded epoxy coated



Pressure/Temperature



DN	50	65	80	100	150	200	250	300
D	152	178	191	229	279	343	406	483
D1	120.5	139.5	152.5	190.5	241.5	298.5	362.0	432.0
n-d	4- Ø19	4- Ø19	4- Ø19	8- Ø19	8- Ø22.4	8- Ø22.4	12- Ø25.4	12- Ø25.4
H	330	365	365	387	465	495	525	587
SØ	94	94	94	94	135	160	200	250
Kgs	16.0	20.0	22.5	50.0	55.0	68.0	75.0	96.0

N.	Part Name	Materials
1	Body	Ductile Iron - ASTM A536
2	Ball	Stainless Steel - A351 Grade CF8
3	Sleeve	Ductile Iron - ASTM A536
4	Seat	NBR - ASTM D1349
5	Bearing	Brass - ASTM B124M
6	Plug	Brass - ASTM B124M
7	Guide	Stainless Steel - ASTM A276 CF8
8	Nut	Brass - ASTM B124M
9	Stem	Brass - ASTM B124M
10	Bolt	Stainless Steel - ASTM A276 CF8
11	Washer	NBR - ASTM D1349
12	Bonnet	Ductile Iron - ASTM A536
13	Bush	Brass - ASTM B124M
14	Cover	Ductile Iron - ASTM A536

Technical Data

Max Pressure 13.8 Bar
Working Temperature 0°C to +80°C

Dimensions in mm

This data sheet is designed as a guide and should not be regarded as wholly accurate in every detail. We reserve the right to amend the specification of any product without notice.