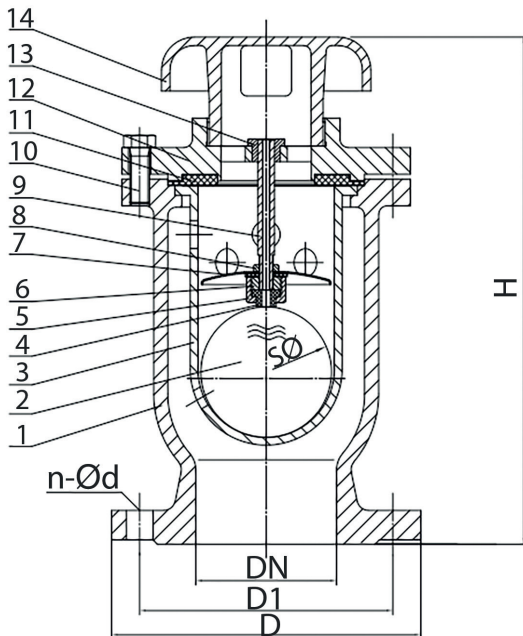


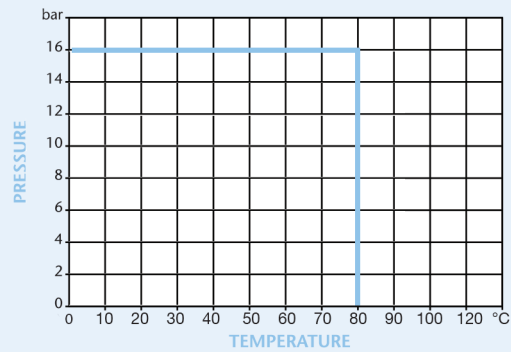
Flanged Air Release Valve

Features

- Flange Mounting PN16 Only
- Flange conforms to BS EN1092 PN16
- WRAS approved coating
- Internally and externally fusion bonded epoxy coated



Pressure/Temperature



DN	50	65	80	100	150	200	250	300
D	165	185	200	220	285	340	405	460
D1	125	145	160	180	240	295	355	410
n-d	4-Ø19	4-Ø19	8-Ø19	8-Ø19	8-Ø23	12-Ø23	12-Ø28	12-Ø28
H	330	365	365	387	465	495	525	587
SØ	94	94	94	94	135	160	200	250
Kgs	16.0	20.0	22.5	50.0	55.0	68.0	75.0	96.0

N.	Part Name	Materials
1	Body	Ductile Iron - BS EN1563
2	Ball	Stainless Steel - EN10213 GX5CrNi19-10
3	Sleeve	Ductile Iron - BS EN1563
4	Seat	NBR - EN681
5	Bearing	Brass - EN12166
6	Plug	Brass - EN12166
7	Guide	Stainless Steel - EN10213 GX5CrNi19-10
8	Nut	Brass - EN12166
9	Stem	Brass - EN12166
10	Bolt	Stainless Steel - BS970 304S15
11	Washer	NBR - EN681
12	Bonnet	Ductile Iron - BS EN1563
13	Bush	Brass - EN12166
14	Cover	Ductile Iron - BS EN1563

Technical Data

Max Pressure 16 Bar
 Working Temperature 0°C to +80°C

Dimensions in mm

This data sheet is designed as a guide and should not be regarded as wholly accurate in every detail. We reserve the right to amend the specification of any product without notice.