

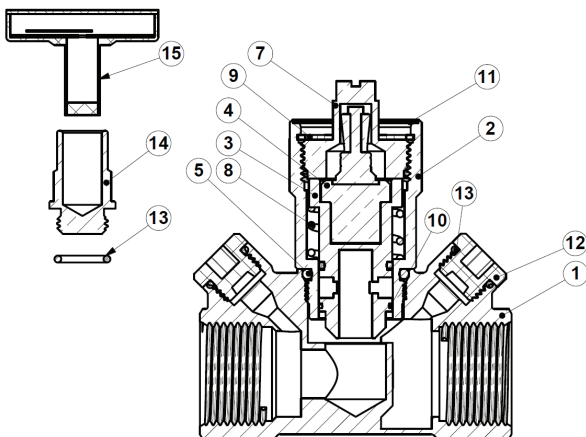
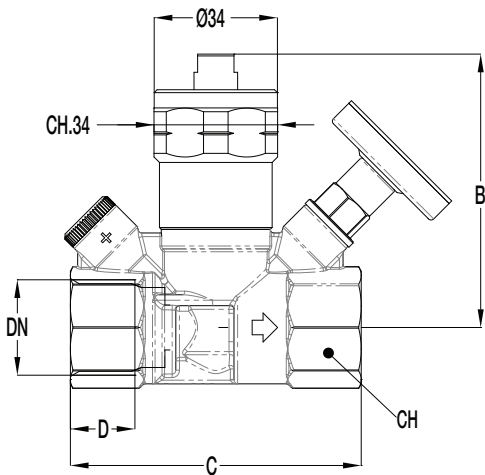
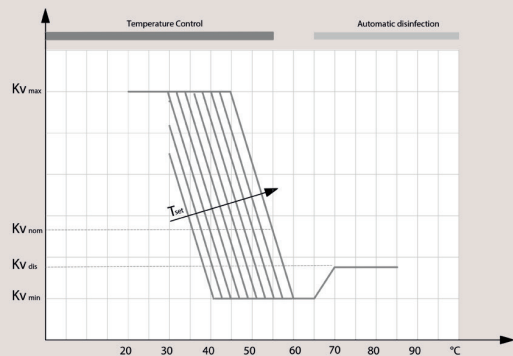


## DZR Brass Thermostatic Balancing Valve with Anti Legionella Device

### Features

- BSP Parallel (ISO 7 Rp)
- Fluid: Water
- WRAS Approved
- Automatic Legionella Disinfectant Feature
- Improves efficiency of DHW systems
- Automatic Regulation
- Reduces heat loss through lower circulation of hot water
- Keeps temperature evenly distributed & reduces dead-legs

### Regulating Characteristics



### Technical Data

Max Working Pressure (Static)	25 Bar
Working Temperature	-10°C to +90°C

Dimensions in mm

This data sheet is designed as a guide and should not be regarded as wholly accurate in every detail. We reserve the right to amend the specification of any product without notice.

DN	1/2"	3/4"	1"
B	73	75	77
C	77	80	87
D	17	18.5	21
CH	25	31	38
KV Max	1.5	3.1	3.6
KV Nom	0.6	0.7	0.8
KV Dis	0.5	0.5	0.5
KV Min	0.25	0.25	0.25
Kgs	0.49	0.55	0.65

N.	Part Name	Materials
1	Body	DZR Brass CW602N-M
2	Bonnet	Brass CW510L-DW
3	Shutter	Brass CW510L-DW
4	Thermostatic Element	
5	O-Ring	EPDM PEROX
6	O-Ring	EPDM PEROX
7	Ring Nut	Brass CW617N-DW
8	Spring	INOX AISI 302
9	Seeger	Steel
10	O-Ring	EPDM PEROX
11	Index	Aluminium
12	Plug	Nylon 6.6
13	O-Ring	EPDM PEROX
14	Temperature Gauge Sheath	Brass CW501L-DW
15	Temperature Gauge	Brass CW501L-DW