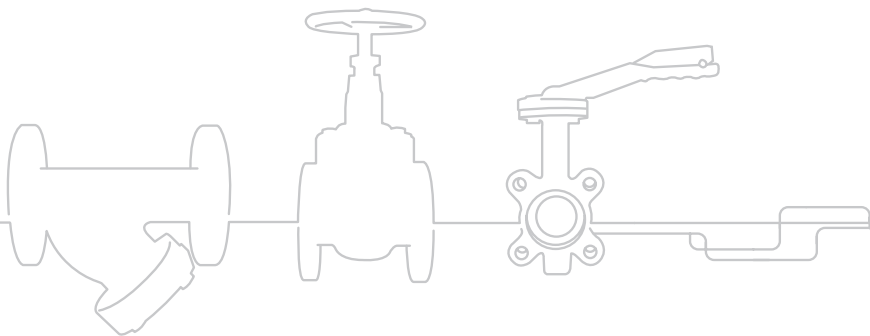
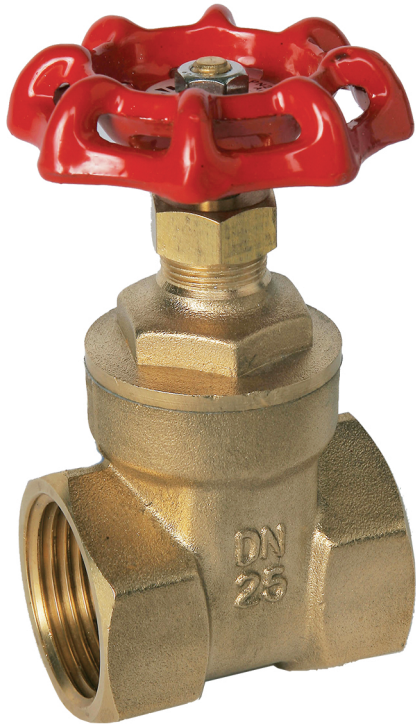


DZR Brass Valves



Product Information



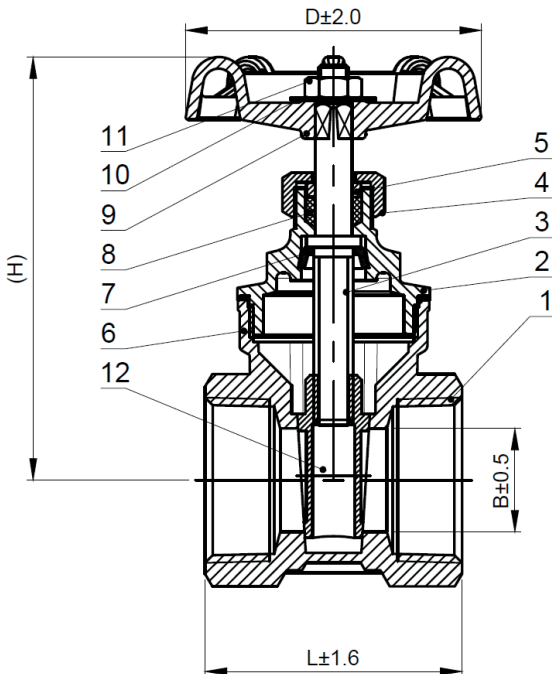
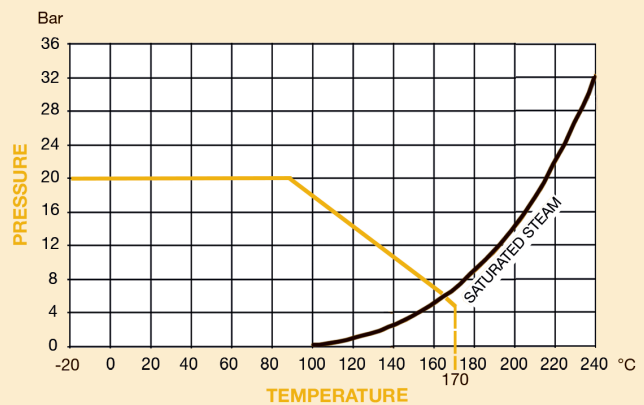


PN20 DZR Brass Gate Valve

Features

- Screwed BSP Taper (ISO 7/1) or NPT (ANSI B1.20.1)
- DZR Brass Body & Wedge
- Cast Hand Wheel
- BS5154

PRESSURE / TEMPERATURE



DN	1/2"	3/4"	1"	1 1/4"	1 1/2"	2"
L	43	46	52	65	66	82.5
H	69.7	75	84.5	99	109.5	130.5
D	53	53	60	72	72	80
B	13	17	21	27	34	45
Kgs	0.25	0.33	0.45	0.71	0.93	1.44

Technical Data

Max Pressure 20 Bar
 Working Temperature -20°C to +170°C

N.	Part Name	Materials
1	Body	DZR - CW602N
2	Bonnet	DZR - CW602N
3	Stem	DZR - CW602N
4	Packing nut	Brass - HPb58-2
5	Washer ring	Brass - HPb58-2
6	Gasket	PTFE
7	Lock ring	Brass - HPb58-2
8	Stem packing	PTFE
9	Hand wheel	HT200
10	Nameplate	L2
11	Hex nut	Q235A
12	Disc	DZR - CW602N

Dimensions in mm

This data sheet is designed as a guide and should not be regarded as wholly accurate in every detail. We reserve the right to amend the specification of any product without notice.

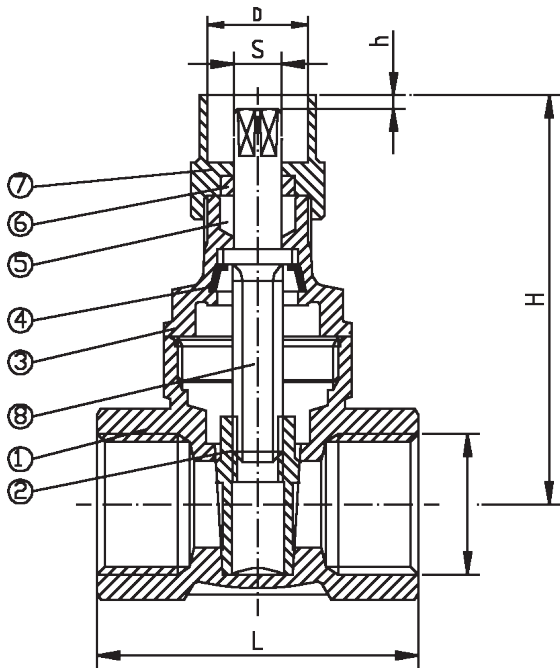
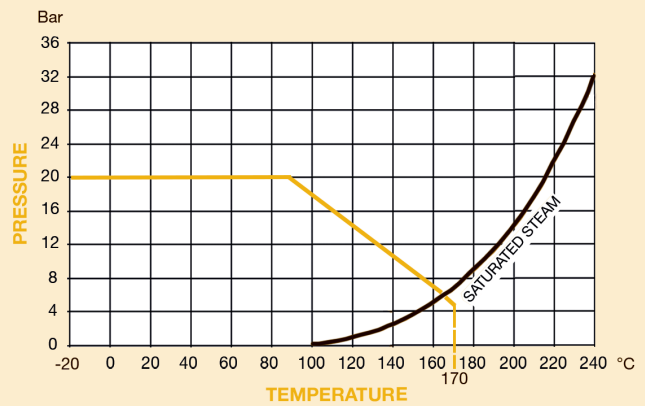


PN20 DZR Brass Gate Valve

Features

- Screwed BSP Taper (ISO 7/1) or NPT (ANSI B1.20.1)
- DZR Brass Body & Wedge
- Lock Shield
- BS5154

PRESSURE / TEMPERATURE



Technical Data

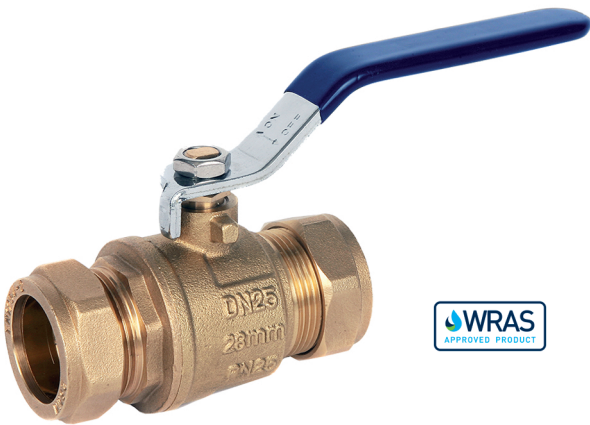
Max Pressure 20 Bar
 Working Temperature -20°C to +170°C

DN	1/2"	3/4"	1"	1 1/4"	1 1/2"	2"
L	43	46	52	65	66	82.5
H	63.5	67.3	68.9	87.7	96.7	114.5
S	6.3	6.3	6.3	6.3	8.0	8.0
h	4.5	4.5	4.5	4.5	4.5	4.5
D	15	15	15	16.5	19.5	19.5
Kgs	0.20	0.27	0.39	0.59	0.83	1.31

N.	Part Name	Materials
1	Body	DZR - CW602N
2	Wedge	DZR - CW602N
3	Bonnet	DZR - CW602N
4	Lock Nut	Brass - HPb58-2
5	Stem Packing	PTFE
6	Gland	Brass - HPb58-2
7	Packing Nut	Brass - HPb58-2
8	Stem	DZR - CW602N

Dimensions in mm

This data sheet is designed as a guide and should not be regarded as wholly accurate in every detail. We reserve the right to amend the specification of any product without notice.

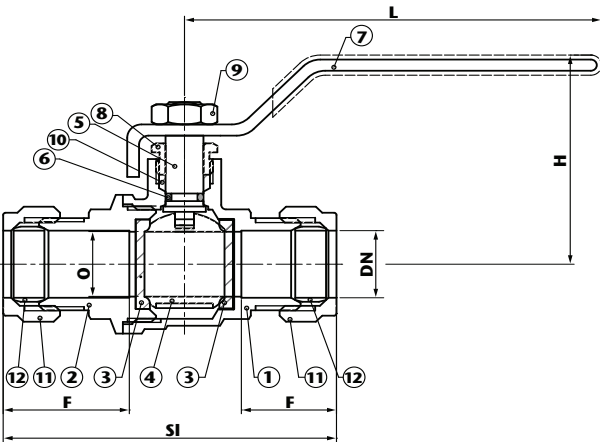
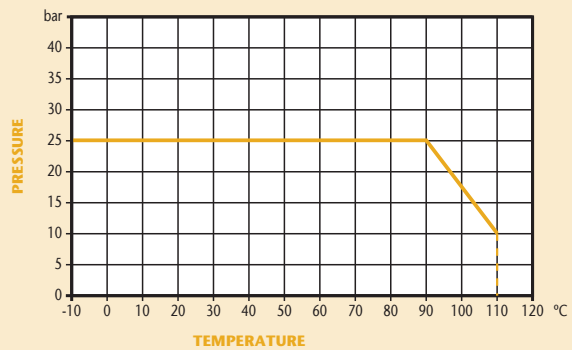


PN25 DZR Brass Ball Valve

Features

- Compression Ends (BS EN 1254-2 (1998))
- Anti-Blow-Out Stem
- PTFE Seats & Seals
- Full Bore
- WRAS Approved

Pressure / Temperature



DN	15	22	28	35	42	54
O	14.5	19.0	24.5	31.5	39.5	49.5
F	18.75	20.25	22	24	28	32
S1	70.5	80	91.5	109	123	150
H	52.5	54.5	69	78	86	100
L	83	93	124	133	133	158
Kgs	0.23	0.34	0.57	0.94	1.31	2.15

Technical Data

Max Pressure 25 Bar
 Working Temperature -10°C to +110°C

N.	Part Name	Materials
1	Body	DZR Brass CW602N
2	Body End	DZR Brass CW602N
3	Seat	PTFE
4	Ball	Brass CW602N Chrome Plated
5	Stem	Brass CW602N
6	'O' Ring	NBR
7	Lever	Steel A3
8	Lock Nut	Brass CW617N
9	Nut	Steel A3
10	Stem Packing	PTFE
11	Nut	Brass CW617N
12	Olive	Brass CW617N

Dimensions in mm

This data sheet is designed as a guide and should not be regarded as wholly accurate in every detail. We reserve the right to amend the specification of any product without notice.

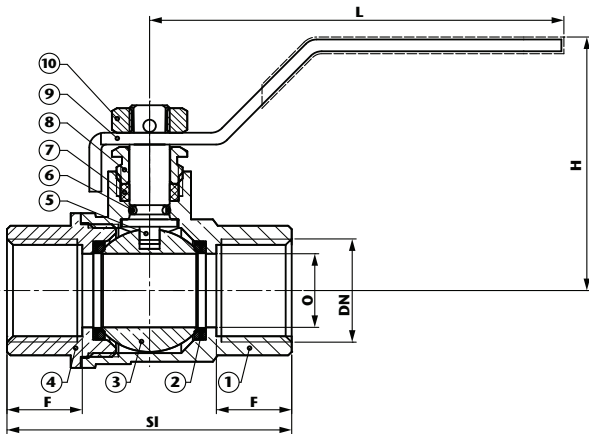
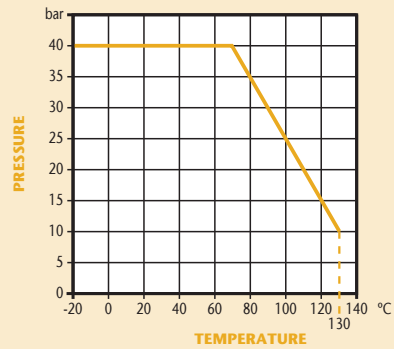


PN40 DZR Brass Ball Valve

Features

- Screwed BSP Taper Ends (ISO 7/1) or NPT (ANSI B1.20.1)
- Anti-Blow-Out Stem
- PTFE Seats & Seals
- Full Bore
- WRAS Approved

Pressure / Temperature



DN	1/4"	3/8"	1/2"	3/4"	1"	1 1/4"	1 1/2"	2"
O	10	10	14.5	19	24.5	31.5	40	49
F	11.5	11.5	15	18	19.5	20	21	26.5
S1	45	45	57	67	77	88	99	121
H	41	41	52	49	62	81	90	96
L	82	82	87.5	100	125	141	141	165
Kgs	0.15	0.14	0.21	0.32	0.49	0.75	1.00	1.61

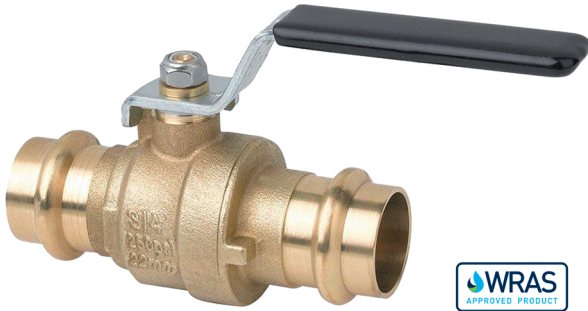
Technical Data

Max Pressure 40 Bar
 Working Temperature -20°C to +130°C

N.	Part Name	Material
1	Body	DZR Brass CW602N
2	Seat	PTFE
3	Ball	Brass CW602N Chrome Plated
4	Body End	DZR Brass
5	Stem	Brass CW602N
6	'O' Ring	NBR
7	Stem Packing	PTFE
8	Lock Nut	Brass CW617N
9	Lever	Steel A3
10	Nut	Steel A3

Dimensions in mm

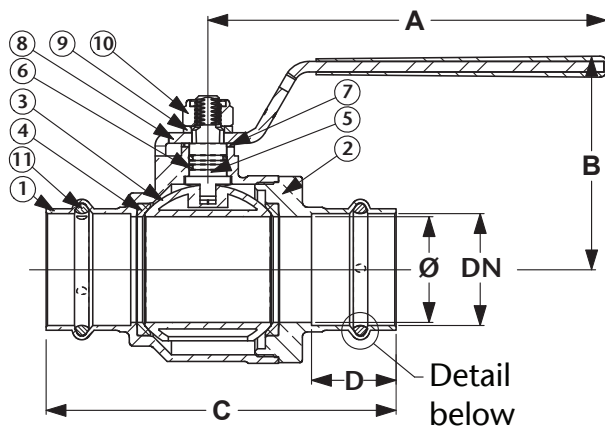
This data sheet is designed as a guide and should not be regarded as wholly accurate in every detail. We reserve the right to amend the specification of any product without notice.



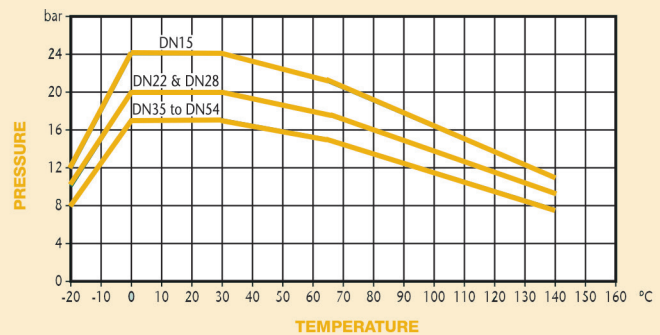
DZR Press Ball Valve

Features

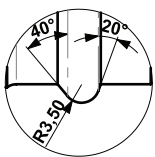
- Universal M & V Press 15mm to 35mm
- Dedicated M & V Profiles 42mm & 54mm (See diagram)
- Full Bore
- DZR Brass Body
- PTFE Seats
- EPDM 'O' Rings
- Pre-Press Leak Detection
- WRAS Approved
- Suitable for cold pressure connection to stainless steel, copper and carbon steel pipes



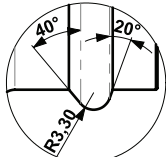
Pressure / Temperature



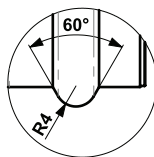
'M' Press (DN42)



'M' Press (DN54)



'V' Press (DN42+54)



NB: Sizes 15mm to 35mm can be pressed with both 'M' and 'V' press jaws. Always use the appropriate 'M' or 'V' press sling to press sizes 42mm and 54mm

Technical Data

Max Pressure 24 Bar (DN15), 20 Bar (DN22 & DN28),
17 Bar (DN35 to DN54)
Working Temperature -20°C to +140°C

Dimensions in mm

This data sheet is designed as a guide and should not be regarded as wholly accurate in every detail. We reserve the right to amend the specification of any product without notice.

DN	15	22	28	35	42	54
A	90	90	110	110	150	150
B	47	52	57	66	81	88
C (M Press)	78	91	99	107	133	155
C (V Press)	78	91	99	107	133	163
D (M Press)	22	25	27	27	32	33
D (V Press)	22	25	27	27	32	37
Kgs	0.19	0.31	0.49	0.72	1.17	1.66 (M) 1.75 (V)

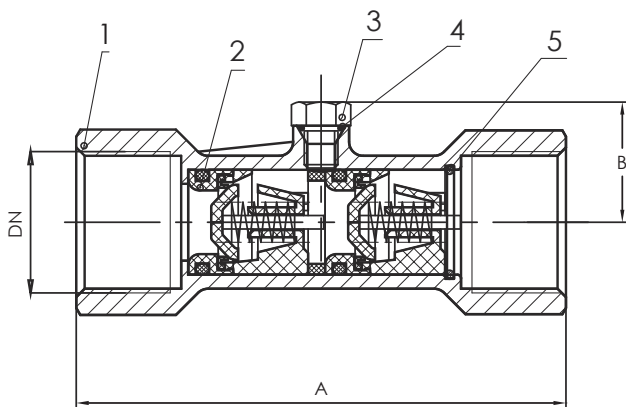
N.	Part Name	Materials
1	Body	DZR Brass
2	Screwed End	DZR Brass
3	Ball	Brass Chrome Plated
4	Ball Gaskets	PTFE
5	Stem	Brass
6	O-Ring	FKM 70 SH
7	Anti-Friction Ring	PTFE
8	Handle	Steel
9	Washer	Brass
10	Self-Locking Nut	Steel
11	O-Ring	EPDM 70 PEROX



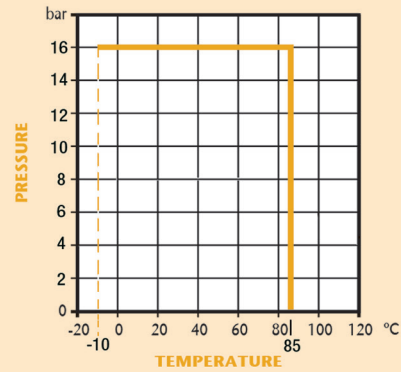
DZR Brass Double Check Valve BSP Parallel F/F Ends

Features

- Screwed BSP Parallel (ISO 228/1)
- WRAS Approved
- Conforms with EN13959
- Prevention of back flow and back syphonage contamination



Pressure / Temperature



DN	1/2"	3/4"	1"	1 1/4"	1 1/2"	2"
A	71	83	98	118	134	173
B	17.5	20	22.8	26	30	35
Kgs	0.11	0.17	0.28	0.45	0.64	1.19

Technical Data

Max Pressure	16 Bar
Working Temperature	-10°C to +85°C

Dimensions in mm

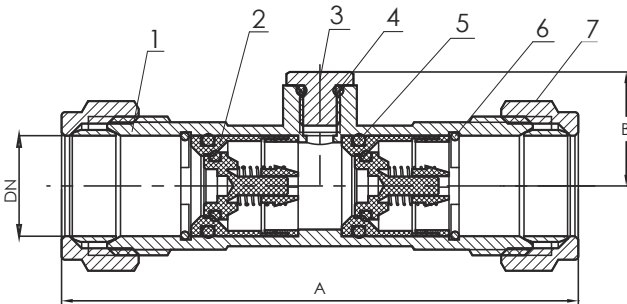
This data sheet is designed as a guide and should not be regarded as wholly accurate in every detail. We reserve the right to amend the specification of any product without notice.

N.	Part Name	Materials
1	Body	DZR
2	Non-return Core	POM
3	Screw	Brass
4	O-Ring	NBR
5	Catch Spring	Stainless Steel 304

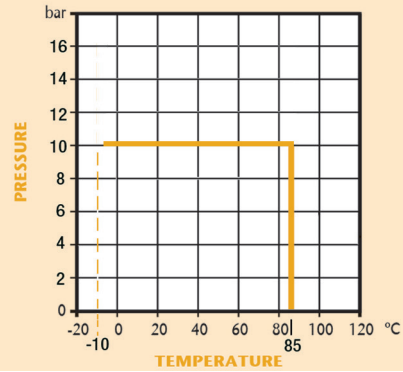
DZR Brass Double Check Valve Compression Ends

Features

- Compression Ends
- WRAS Approved
- Conforms with EN13959
- Prevention of back flow and back syphonage contamination



Pressure / Temperature



DN	15mm	22mm	28mm
A	79	100	112
B	16	18.5	21
Kgs	0.10	0.19	0.30

Technical Data

Max Pressure	10 Bar
Working Temperature	-10°C to +85°C

N.	Part Name	Materials
1	Body	DZR
2	Non-return core	POM
3	Screw	Brass
4	O-Ring	NBR
5	Catch Spring	Stainless Steel 304
6	Compression Nut	Brass
7	Olive	T2 Copper

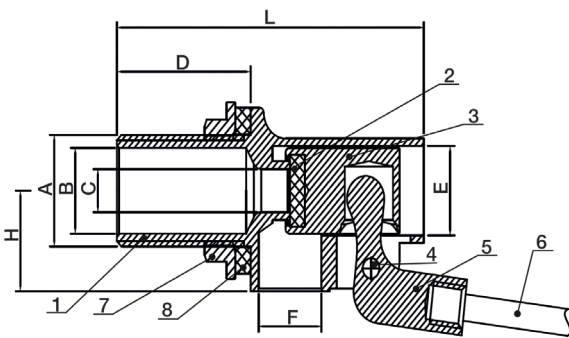
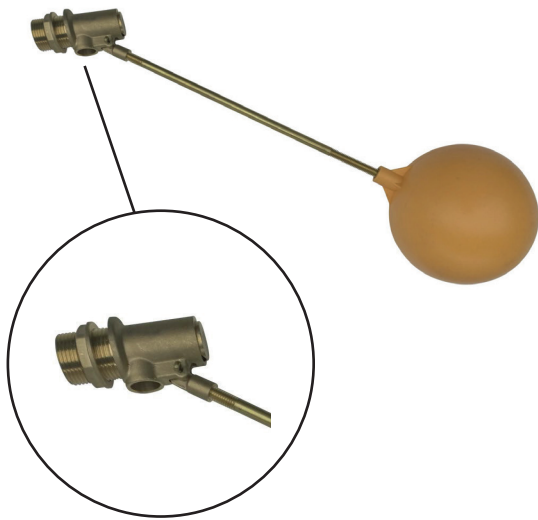
Dimensions in mm

This data sheet is designed as a guide and should not be regarded as wholly accurate in every detail. We reserve the right to amend the specification of any product without notice.

DZR Brass Float Valve

Features

- Screwed BSP Parallel (ISO 228/1)
- Supplied with locknut
- Machined fixed flange on valve body
- All DZR brass bodies
- DZR long and short arm options
- No jam single lever action
- Replaceable seals
- Copper float option also available



Arms - DZR with threads on both ends

Model	A	B	C
End #1 Thread	M8	M10	M12*1.75
Length	254	305	432
End #2 Thread	M8	M10	M12*1.75
Kgs	0.09	0.18	0.38

Plastic floats - Polyethylene

Diameter Size	4 1/2"	5"	6"	8"	10"
Thread Connection	M8	M8	M10	M12*1.75	M12*1.75
Kgs	0.08	0.13	0.18	0.37	0.67

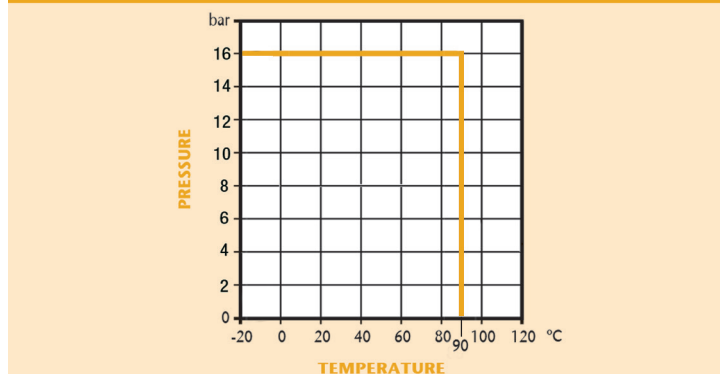
Technical Data

Max Pressure	16 Bar
Working Temperature	-20°C to +90°C

Dimensions in mm

This data sheet is designed as a guide and should not be regarded as wholly accurate in every detail. We reserve the right to amend the specification of any product without notice.

Pressure / Temperature



DN	1/2"	3/4"	1"	1 1/4"	1 1/2"	2"
B	16	20.5	25	32	40	50
C	8	8	14	19	19	25
D	30.5	32.5	35.5	82.5	82.5	82.5
E	16.7	16.7	26.3	34.3	34.3	50.3
F	14.3	14.3	18.5	32	32	32
H	18.8	20.8	28.8	42.3	42.3	53.0
L	70.0	74.5	87.5	168.5	168.5	168.5
Float Size	4 1/2"	5"	6"	8"	10"	10"
Arm Type	A	A	B	C	C	C
Kgs (valve)	0.32	0.42	0.81	1.80	2.18	2.25

N.	Part Name	Materials
1	Body	DZR Brass CW602
2	Washer	EPDM
3	Piston	DZR Brass CW602
4	Pin	Brass H59-1
5	Plunger	DZR Brass CW602
6	Arm	DZR Brass CW602
7	Back Nut	DZR Brass CW602
8	Washer	EPDM

Flow Specifications

Flow	Pressure	Flow	Pressure	Flow
1/2"	50psi	20 gpm	100psi	31 gpm
3/4"	50psi	40 gpm	100psi	60 gpm
1"	50psi	100 gpm	100psi	150 gpm
1 1/2" - 2"	50psi	250 gpm	100psi	348 gpm



Certificate No. 1437B



Certificate No. 1437A

Distributor