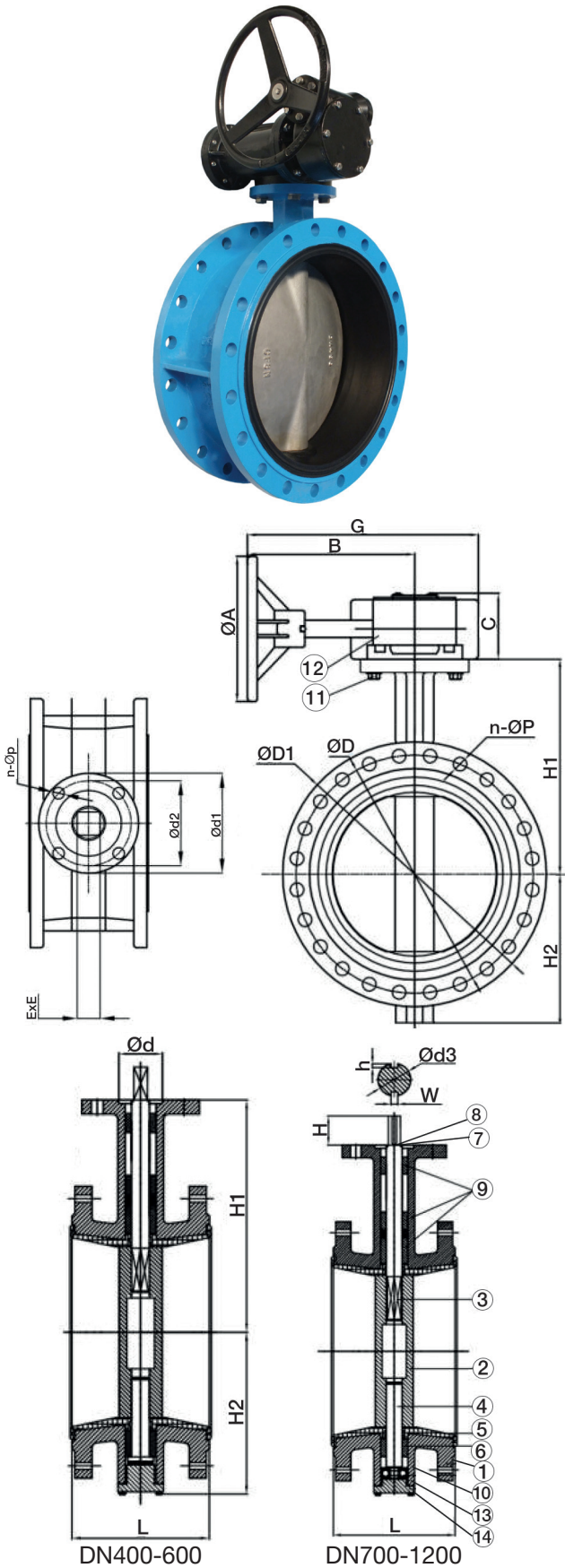
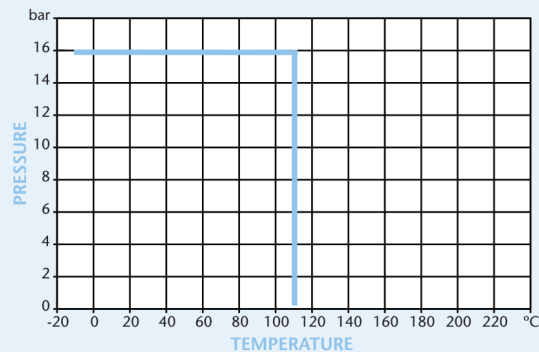


Ductile Iron Butterfly Valve Double Flanged Type

Features

- Flange Mounting PN16 Only
- BS5155 (BS EN 593)
- ISO 5211 Direct Mount
- Gearbox
- Epoxy Paint Finish
- Vulcanised Liner
- BS EN558-1 Series 13

Pressure/Temperature



	400	450	500	600	700	800	900	1000	1200
G	375	375	375	441	538	538	627	627	645
B	264	264	264	307	364	364	430	430	465
A	300	300	300	300	430	430	430	430	430
C	131	131	131	138	159	159	228	228	253
H1	340	375	430	500	560	620	685	735	917
H2	303	340	373	435	505	555	630	695	805
n-ØP	16-31	20-31	20-34	20-37	24-37	24-41	28-41	28-44	32-50
D	525	585	650	770	840	950	1050	1170	1390
D1	580	640	715	840	910	1025	1125	1255	1485
d	100.5	100.5	100.5	130.5	200	200	200	200	230
H	52	52	64	70	65	65	125	142	142
h					6	6	9	9	10
W					16	16	22	22	28
L	216	222	229	267	292	318	330	410	470
d3					63.4	63.4	75	85	105
ExE	27	27	27	36					
n-Øp	4-18	4-18	4-18	4-23	8-18	8-18	8-18	8-18	8-22
d1	175	175	175	210	300	300	300	300	350
d2	140	140	140	165	254	254	254	254	298
ISO	F14	F14	F14	F16	F25	F25	F25	F25	F30
Torque	1755	1950	2773	5070	7670	9100	13350	19500	34500

N.	Part Name	Materials
1	Body	Ductile Iron GGG40
2	Disc	Stainless Steel 316
3	Upper Shaft	DN400-600 St St 420. DN700-1200 St St 431
4	Lower Shaft	DN400-600 St St 420. DN700-1200 St St 431
5	Seat	EPDM
6	Bushing	DN400-600 PTFE. DN700-1200 Brass H59
7	Cotter Pin	Plated Steel 65Mn
8	Circlip	Plated Steel 65Mn
9	O-Ring	NBR
10	Ring	Nylon PA6
11	Bolt	Stainless Steel 304
12	Gearbox	Ductile Iron
13	End Cover	Ductile Iron GGG40
14	Pressure Bearing	Steel

Technical Data

Maximum Pressure	16 Bar
Working Temperature	-10°C to +110°C

Dimensions in mm

This data sheet is designed as a guide and should not be regarded as wholly accurate in every detail. We reserve the right to amend the specification of any product without notice.